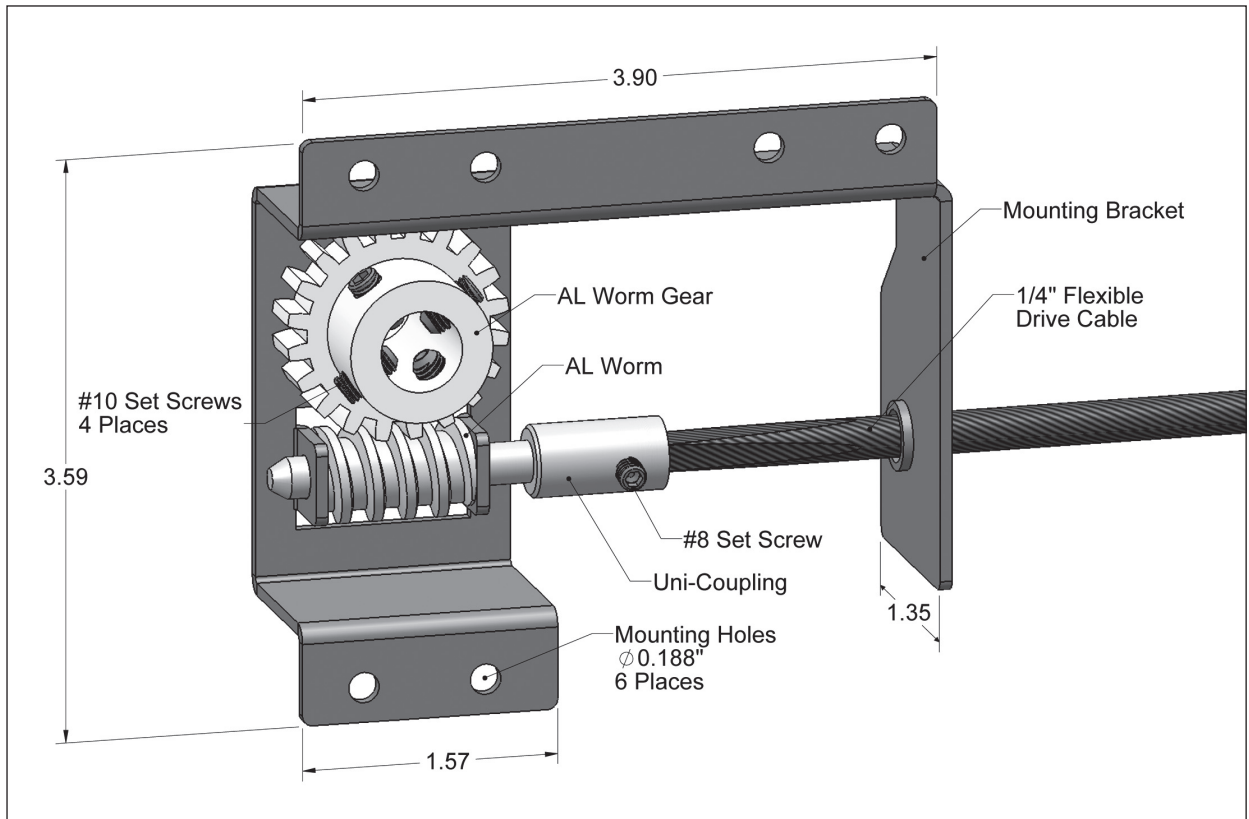


## RT-WGA Universal Damper Drive Specifications



Patent pending

Furnish a worm gear damper drive unit to manually control dampers from a remote location. The damper drive shall be furnished as one-piece construction with universal mounting capabilities to accommodate damper shaft sizes from 1/4"-3/8" square, or 1/4"-1/2" round. The drive unit construction shall consist of a 14 gauge galvanized mounting bracket, an aluminum worm and worm gear, and a one piece steel drive shaft/cable coupling. The drive shaft / coupling shall provide access and support for a 1/4"  $\phi$  plated steel rotary actuation cable. The rotary cable shall be operated with a standard hex nut driver (by others) or the MAT square nut driver. The worm and worm gear shall have a 20:1 gear ratio and provide a 2:1 mechanical advantage. The damper drive unit shall be able to control models RT-200 and RT-250 dampers provided by Metropolitan Air Technology (MAT), or approved equals. The rotary actuation cable shall be terminated with a MAT Ceiling Cup (RT-CCM, RT-CCR, or RT-CCS), an angle bracket, or a retaining clip (when used inside the plenum). The damper drive unit shall be Metropolitan Air Technology model RT-WGA Universal Damper Drive, or approved equal.