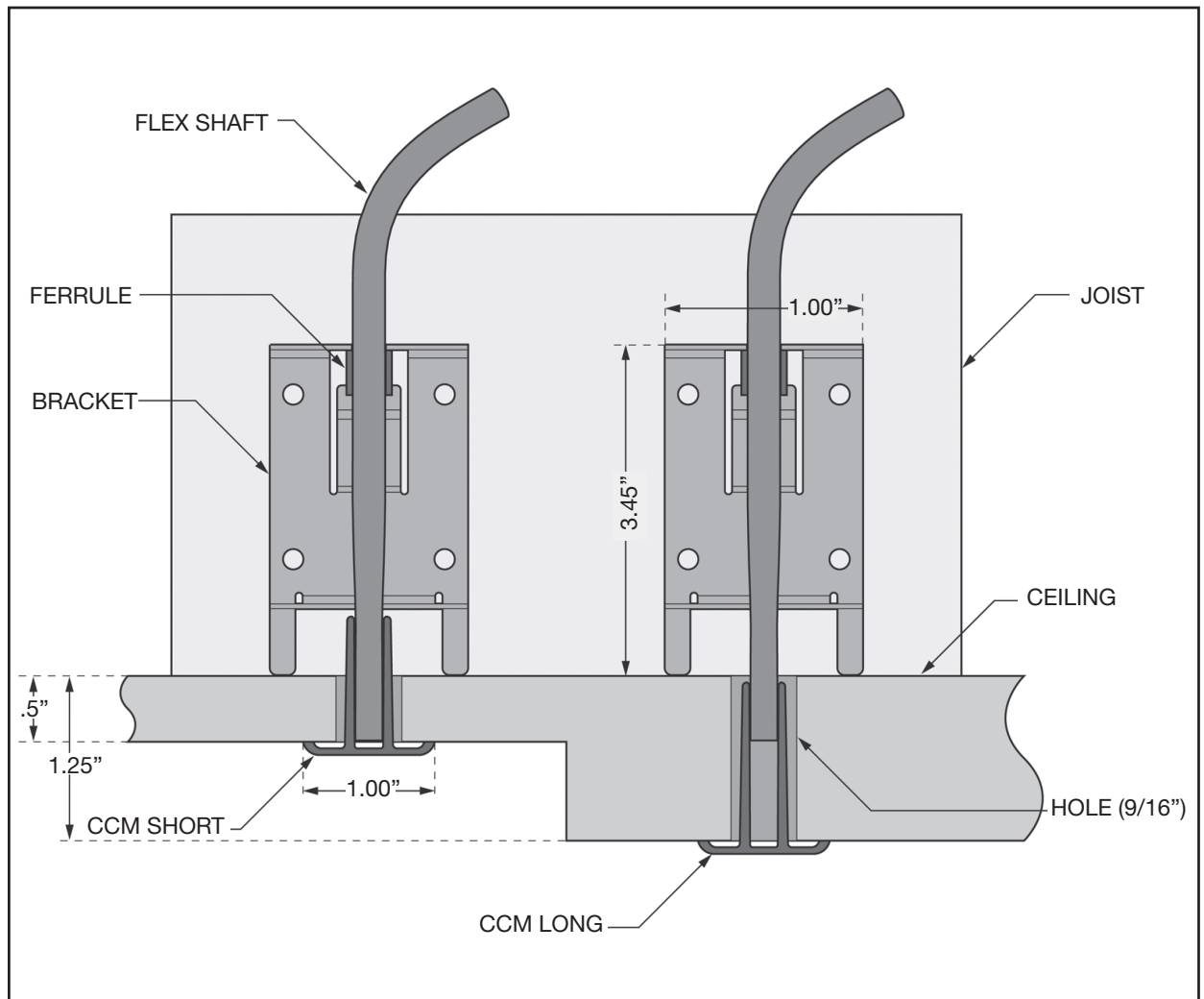


RT-CCM Mini Ceiling Cup Specifications



Patent pending

Furnish a metal mounting bracket for actuation cable support and a fire rated (UL94-V0) nylon cap to seal a ceiling access hole. The mounting bracket shall be made from galvanized steel and fasten to a structural member at the ceiling line. It shall secure and position a 1/4 dia" brass plated steel rotary actuation cable into a ceiling opening. The cable shall be operated with a standard 1/4" hex nut driver (by others) or the MAT square nut driver. The Ceiling Cap shall have a diameter of not larger than 1", require a 9/16" ceiling penetration (ensuring compliance with national regulations for penetration of a fire rated ceiling), and mount flush with the ceiling, providing an unobtrusive access point. The ceiling cap shall fit over the actuation cable end and accommodate ceiling panel thicknesses of .500" to 1.250".

Ceiling Cap shall be Metropolitan Air Technology LLC. Model #RT-CCM or equivalent.