

The RT-100 SP/CC Submittal Data

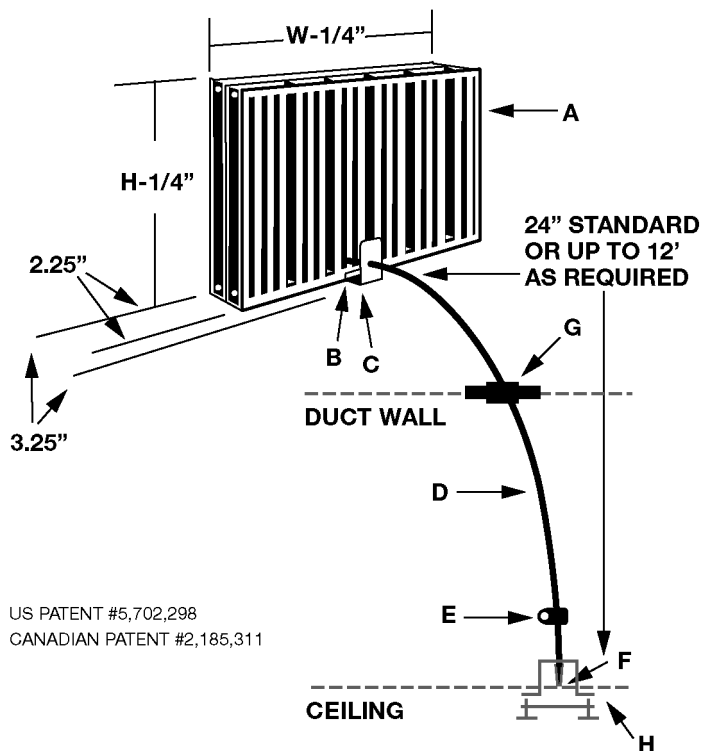
Project:

Date:

Architect:

Engineer:

Contractor:



Design & Materials

- A.** Extruded aluminum opposed blade damper–spring loaded to hold setting. Field screw to duct.
- B.** Rotary actuated damper accepts cable.
- C.** Extruded aluminum bearing bracket snap-fits to frame for one piece installation.
- D.** Cable lengths as required up to 60'. 1/4" brass plated steel rotary cable.
- E.** Nylon cable clamp for field furnished with 5/16" hex self-drilling screw.
- F.** Male square rotary cable end adjusts with a standard hex nut driver (by others) or the MAT square nut driver. Optional: thin-blade screwdriver adjusted cable tip.
- G.** Galvanized steel seal plate (SP) with self lubricating bearing.
- H.** Ceiling Cup

Features

- Cable minimum turn radius = 4".
- Operating temperature limits = -40° to 240°F.
- Maximum recommended velocity = 1800 FPM (50 NC).
- No linkages or cable to adjust.
- No small loose parts to get lost.
- Dampers may be used in any plane or reverse aspect ratio.
- Single operator size limits: 6" x 4" thru 24" x 20".
- See Model RT-150 for round damper units.

Ceiling Cup Options

- RT-CCR Round Ceiling Cup
- RT-CCM Miniature Ceiling Cup
- RT-CCS Rectangular Ceiling Cup

Location/System	Qty.	Duct W x H Nominal	Cable Length	Ceiling Cup