

The RT-100 Series III Submittal Data

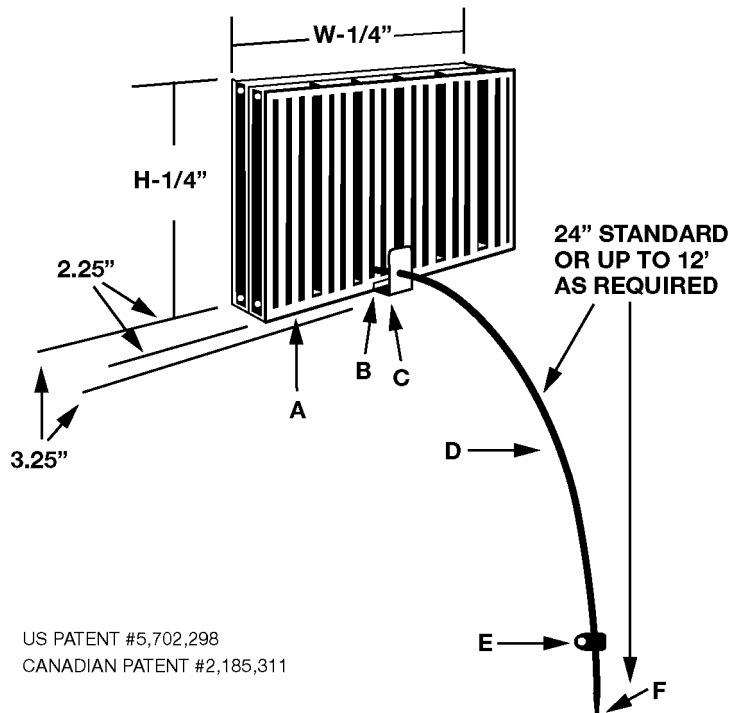
Project:

Date:

Architect:

Engineer:

Contractor:



US PATENT #5,702,298
CANADIAN PATENT #2,185,311

Stocked Sizes (5 day shipping)

6" x 6"	10" x 4"	12" x 4"	12" x 8"	16" x 6"	24" x 6"
8" x 6"	10" x 6"	12" x 5"	14" x 6"	16" x 8"	
	10" x 8"	12" x 6"	14" x 8"	18" x 6"	

Design & Materials

- A. Extruded aluminum opposed blade damper-spring loaded to hold setting. Field screw to duct.
- B. Rotary actuated damper accepts cable.
- C. Extruded aluminum bearing bracket snap-fits to frame for one piece installation.
- D. Cable lengths as required up to 12'. 1/4" brass plated steel rotary cable.
- E. Nylon cable clamp for field furnished with 5/16" hex self-drilling screw.
- F. Male square rotary cable end adjusts with a standard hex nut driver (by others) or the MAT square nut driver. Optional: thin-blade screwdriver adjusted cable tip.

Features

- Cable minimum turn radius = 4".
- Operating temperature limits = -40° to 240°F.
- Maximum recommended velocity = 1800 FPM (50 NC).
- No linkages or cable to adjust.
- No small loose parts to get lost.
- Dampers may be used in any plane or reverse aspect ratio.
- Single operator size limits: 6" x 4" thru 24" x 20".
- See Model RT-150 for round damper units.

Location/System	Qty.	Duct W x H Nominal	Cable Length	Miscellaneous

6235 South Oak Park Avenue Chicago, IL 60638 USA
Toll free: 800.585.7686 708.552.4040
Fax: 708.594.0396 www.metairtech.com

Represented by: