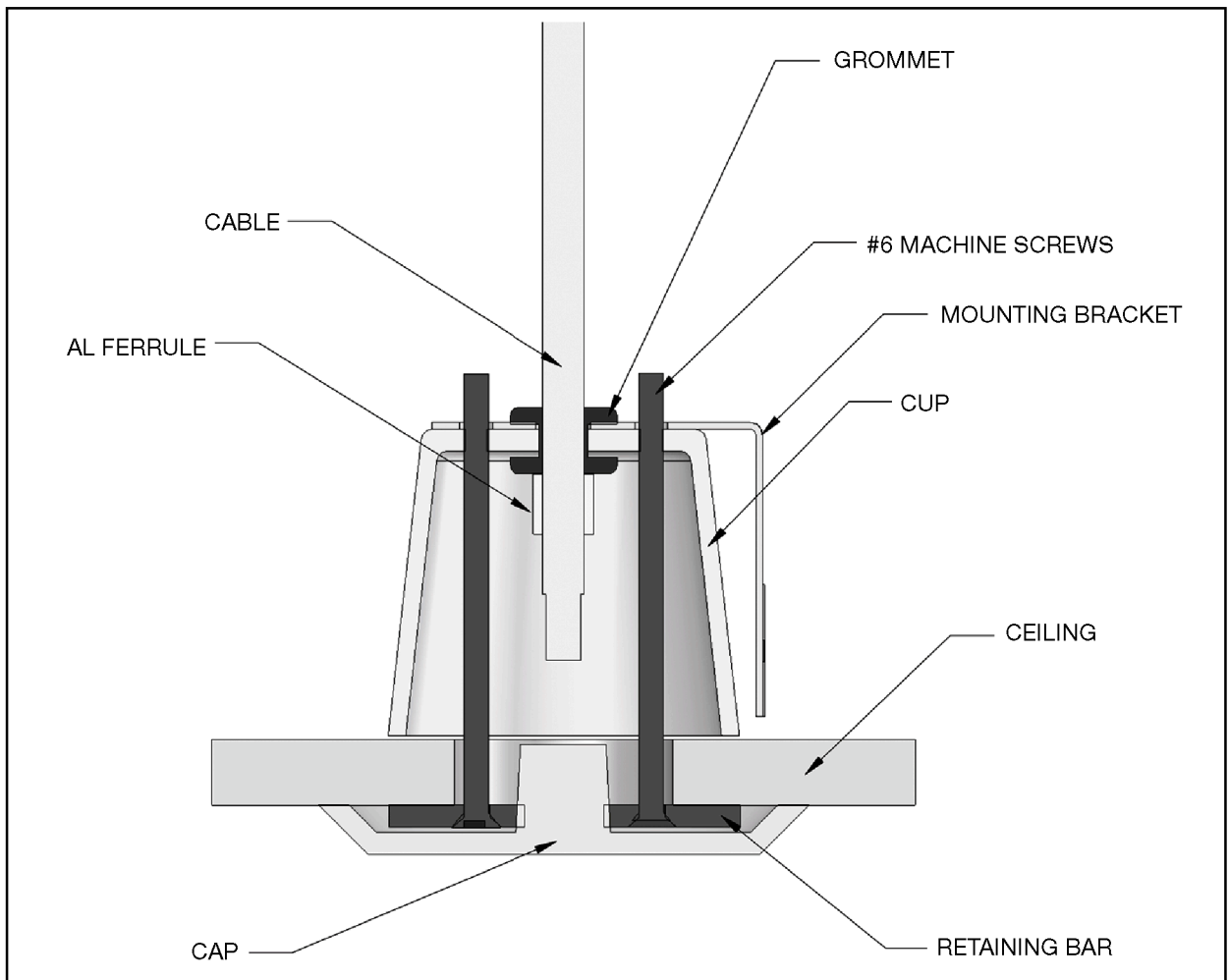


RT-CCR Round Ceiling Cup Specifications



Patent pending

Furnish a self-supporting UL94-V0 fire rated polystyrene molded Ceiling Cup with a diameter of not more than 2" and a paintable 2 3/4" self threading ceiling cap. The Ceiling Cup shall require less than 1 square inch penetration to ensure compliance with national regulations for penetration of a fire rated ceiling. The Ceiling Cup will mount flush with the ceiling and the ceiling cap shall provide an unobtrusive finish flush with the ceiling surface. The Ceiling Cup will also provide an alternative mounting bracket made of galvanized steel, which will allow positioning of the device prior to ceiling installation. Ceiling Cup should provide access for a 1/4" brass plated rotary cable that can be operated with a standard hex nut driver (by others) or MAT square nut driver. Ceiling Cup will accept cable from the top and be supported by a rubber grommet and aluminum ferrule.

Ceiling Cup shall be Metropolitan Air Technology LLC. Model #RT-CCR or approved equal.