

# NF24(-S,-S2) US

On/Off, Spring Return Fail-Safe, 24 V



Technical Data		NF24(-S,-S2) US
Power supply		24 VAC ± 20% 50/60 Hz 24 VDC ± 10%
Power consumption	running	5 W
	holding	2.6 W
Transformer sizing		8 VA (class 2 power source)
Electrical connection		3 ft, 18 GA appliance cable 1/2" conduit connector
Overload protection		Electronic throughout 0 to 95° rotation
Electrical protection		Auxiliary switches are double insulated
Angle of rotation		95°, adjustable 30 to 95° w/ accessories
Torque		60 in-lb [7 Nm] constant torque
Direction of rotation		reversible with CW/CCW mounting
Position indication		visual indicator, 0° to 95° (0° is spring return position)
Running time	motor	< 75 sec
	spring	< 60 sec
Humidity		5 to 95% RH non-condensing
Ambient temperature		-22°F to 122°F [-30°C to 50°C]
Storage temperature		-40°F to 176°F [-40°C to 80°C]
Housing		NEMA type 2 / IP54
Housing material		zinc coated steel
Agency listings		cULus acc. to UL 873 and CAN/CSA C22.2 No. 24-93
Noise level		max. 45 dB (A)
Servicing		maintenance free
Quality standard		ISO 9001
Weight		6.6 lbs (3.0 kg)
Technical Data		NF24 -S2 US

NF24-S US	
Auxiliary switch	1 x SPDT 7A (2.5A) @ 250 VAC, UL Approved adjustable 5° to 85°

NF24-S2 US	
Auxiliary switch	2 x SPDT 7A (2.5A) @ 250 VAC, UL Approved one set at +5°, one adjustable 25° to 85°

**Torque min. 60 in-lb, for control of air dampers**

## Application

For On/Off, fail-safe control of dampers in HVAC systems. Actuator sizing should be done in accordance with the damper manufacturer's specifications. Control is On/Off from an auxiliary contact, or a manual switch.

The actuator is mounted directly to a damper shaft up to 1.05" in diameter by means of its universal clamp. A crank arm and several mounting brackets are available for applications where the actuator cannot be direct coupled to the damper shaft.

## Operation

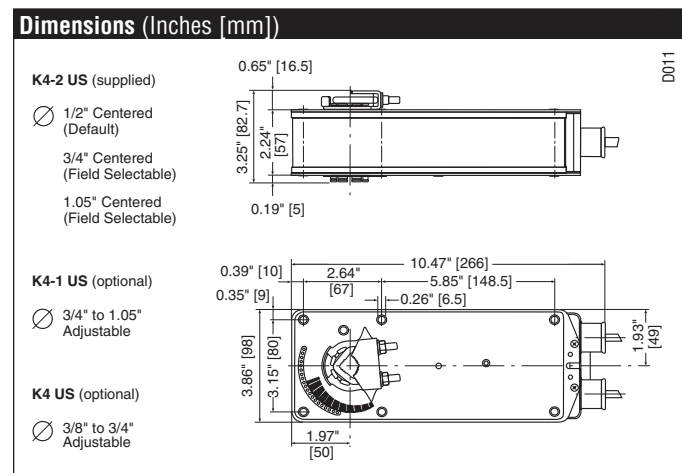
The NF series actuators provide true spring return operation for reliable fail-safe application and positive close off on air tight dampers. The spring return system provides constant torque to the damper with, and without, power applied to the actuator.

The NF series provides 95° of rotation and is provided with a graduated position indicator showing 0° to 95°.

The actuator may be stalled anywhere in its normal rotation without the need of mechanical end switches.

The NF24-S US version is provided with 1 built in auxiliary switch. This SPDT switch is provided for safety interfacing or signaling, for example, for fan start-up. The switching function is adjustable between 5° and 85°.

The NF24-S2 US version is provided with 2 built-in auxiliary switches. These SPDT switches are provided for safety interfacing or signaling, for example, for fan start-up. The switching function at the fail-safe position is fixed at +5°, the other switch function is adjustable between +25° to +85°.



K20901 - 01/09 - Subject to change. © Belimo Aircontrols (USA), Inc.

### Accessories

AV 10-18	Shaft extension
IND-AF2	Damper position indicator
K4-1 US	Universal clamp for up to 1.05" dia jackshafts
K4-H	Universal clamp for hexshafts 3/8" to 5/8"
KH-AF	Crankarm for up to 3/4" round shaft
KH-AF-1	Crankarm for up to 1.05" jackshaft
KH-AFV	V-bolt kit for KH-AF and KH-AF-1
Tool-06	8mm and 10 mm wrench
ZG-HTR	Thermostat/Heater Kit
ZDB-AF2 US	Angle of rotation limiter
ZG-100	Universal mounting bracket
ZG-101	Universal mounting bracket
ZG-102	Multiple actuator mounting bracket
ZG-106	Mounting bracket for Honeywell® Mod IV replacement or new crankarm type installations
ZG-107	Mounting bracket for Honeywell® Mod III or Johnson® Series 100 replacement or new crankarm type installations
ZG-108	Mounting bracket for Barber Colman® MA 3../4., Honeywell® Mod III or IV or Johnson® Series 100 replacement or new crankarm type installations
ZG-AF US	Crankarm adaptor kit for AF/NF
ZG-AF108	Crankarm adaptor kit for AF/NF
ZS-100	Weather shield (metal)
ZS-150	Weather shield (polycarbonate)
ZS-260	Explosion-proof housing
ZS-300	NEMA 4X housing

Note: When using NF24 (-S, -S2) US actuators, only use accessories listed on this page. For Actuator Wiring Information and Diagrams, Please See Belimo Wiring Guide (pg 349).

### Typical Specification

On/Off spring return damper actuators shall be direct coupled type which require no crankarm and linkage and be capable of direct mounting to a jackshaft up to a 1.05" diameter. The actuators must be designed so that they may be used for either clockwise or counterclockwise fail-safe operation. Actuators shall be protected from overload at all angles of rotation. If required, 1 or 2 SPDT auxiliary switch shall be provided having the capability of being adjustable. Actuators with auxiliary switches must be constructed to meet the requirements for Double Insulation so an electrical ground is not required to meet agency listings. Actuators shall be UL Approved and CSA certified, have a 5 year warranty, and be manufactured under ISO 9001 International Quality Control Standards. Actuators shall be as manufactured by Belimo.

### Wiring Diagrams

#### ✂ INSTALLATION NOTES

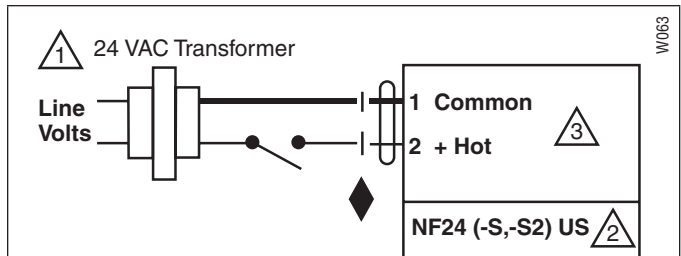
- 1 Provide overload protection and disconnect as required.
- 2 **CAUTION Equipment damage!**  
Actuators may be connected in parallel. Power consumption and input impedance must be observed.
- 3 Actuators may also be powered by 24 VDC.
- 4 For end position indication, interlock control, fan startup, etc., NF24-S US incorporates a built-in auxiliary switch: 1 x SPDT, 7A (1.5A) @250 VAC, UL Approved, adjustable 5° to 85°. NF24-S2 US incorporates two built-in auxiliary switches: 2 x SPDT, 7A (2.5A) @250 VAC, UL Approved, one switch is fixed at +5°, one is adjustable 25° to 85°.

#### 📄 APPLICATION NOTES

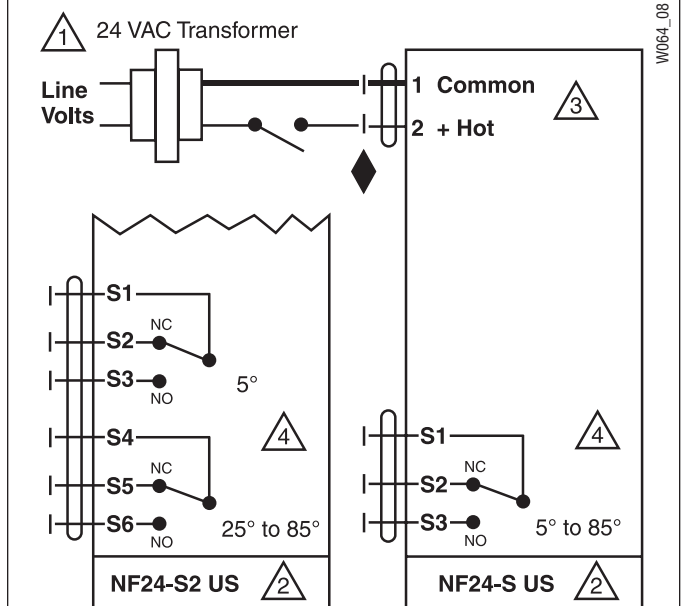
- ◆ Meets cULus requirements without the need of an electrical ground connection.

#### ⚠ WARNING Live Electrical Components!

During installation, testing, servicing and troubleshooting of this product, it may be necessary to work with live electrical components. Have a qualified licensed electrician or other individual who has been properly trained in handling live electrical components perform these tasks. Failure to follow all electrical safety precautions when exposed to live electrical components could result in death or serious injury.



On/Off wiring for NF24 US



On/Off wiring for NF24-S US