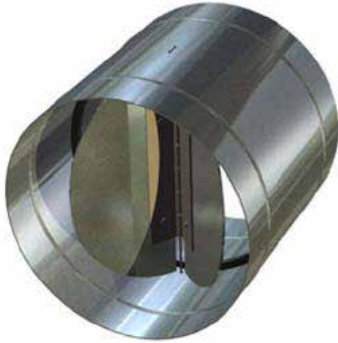


Model BD-250-AL Butterfly Backdraft Damper



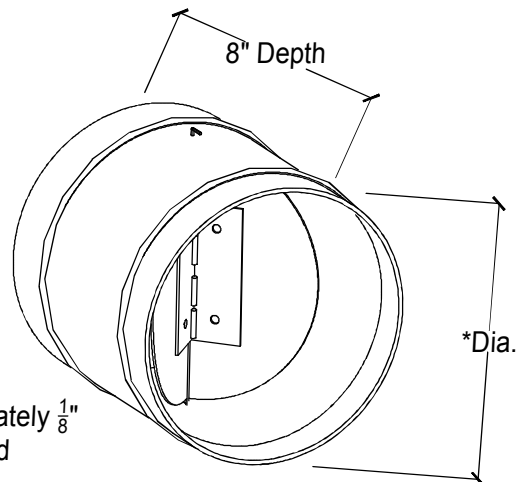
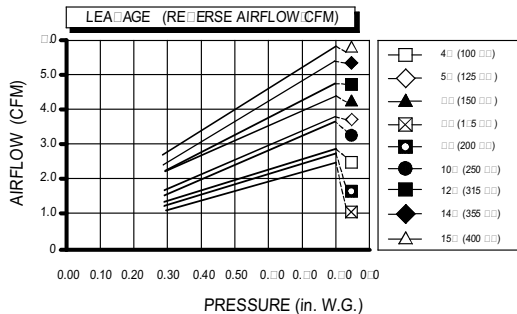
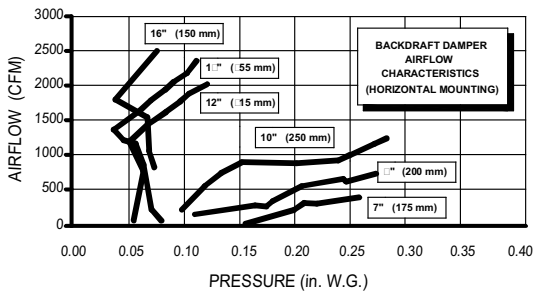
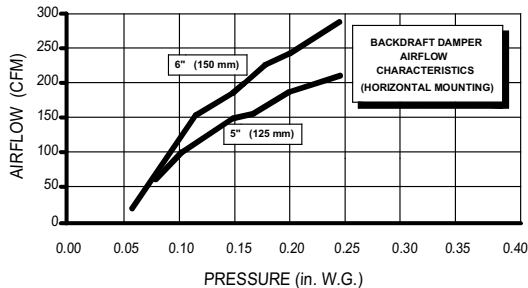
Application

The Model BD-250-AL was designed for small round dampers up to 16"Ø for pressure through .30" w.c.

Standard Construction

- EDPM rubber gasket in closed position for minimum leakage damper
- Aluminum Spring Loaded Butterfly damper (.025" alum. blades)
- 24 Gauge Galvanized Steel Housing
- Requires .04 to .08 inches w.c. to begin to open
- May be installed in any position

Sizes 4", 5", 6", 7", 8", 9", 10", 12", 14", 16", & 18"



Dimensions		Maximum Velocity (FPM)
Diameter	Length	
4-10"	8"	2200
12-18"	8"	1900

Due to continuing research, MAT reserves the right to change specifications without notice.

BD-250-AL

6235 South Oak Park Avenue Chicago, IL 60638 USA
Toll free: 800.585.7686 +1.708.552.4040
Fax: +1.708.594.0396 www.metairtech.com

Represented by: