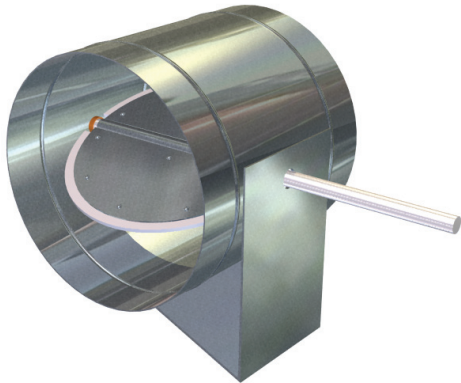


Model CD-250 Damper



Suggested Specifications

Furnish and install at locations shown on the drawing, or in accordance with schedules, dampers meeting the following specifications: Round dampers shall consist of a (specify gage as noted in table below) galvanized steel body and blade, with solid shafts turning in bronze oilite bearings. Blade seal shall be cross-linked closed cell material. Maximum air flow velocity of 2000 fpm.

Standard Construction

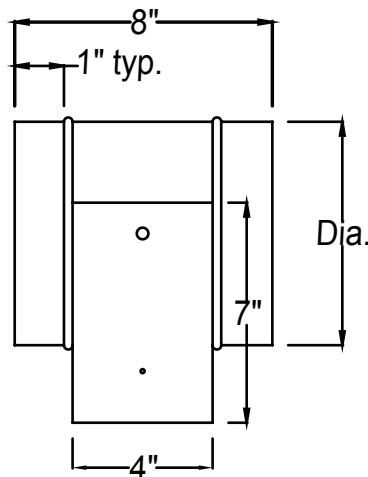
- Shaft: 1/2" round solid aluminum (thru 30")
3/4" round solid steel (32" thru 46")
- Bearing: Bronze oilite (175°)
- Blade Seals: Crosslinked closed cell (200° F)
- Mounting Plate: 20 ga. galvanized steel

Options

- Stainless steel body, blade, shaft and quadrant
- Silicone Blade Seal (400° F)
- All aluminum construction w/ steel plated quadrant
- Nylon 6/6 bushing (for aluminum construction)
- Extended quadrant 2"
- Factory furnished and mounted actuator
- Motor and/or control enclosure
- Stainless steel bearings (700° F)
- Silica Seals (800° F)
- Heavier Gauges:
 - 16 ga
 - 14 ga

MAXIMUM VELOCITY		
DIAMETER	FPM	MAX. PRESSURE DIFFERENTIAL
4 - 8"	2600	6"
10 - 12"	2400	5"
14 - 18"	2300	4"
20 - 24"	2300	3"
26 - 30"	2200	2-1/2"
32 - 46"	2000	1-3/4"

DIAMETER	LENGTH	BODY & BLADE
4 - 10"	8"	24 ga.
12 - 18"	8"	20 ga.
20 - 30"	8"	20 ga.
32 - 46"	8"	18 ga.



Model CD-250 Damper

Represented by:

6235 South Oak Park Avenue Chicago, IL 60638 USA
Toll free: 800.585.7686 +1.708.552.4040
Fax: +1.708.594.0396 www.metairtech.com