

*The leader in air flow control technology*

## The Electro-Balance™ EB-250 Round Damper System Submittal

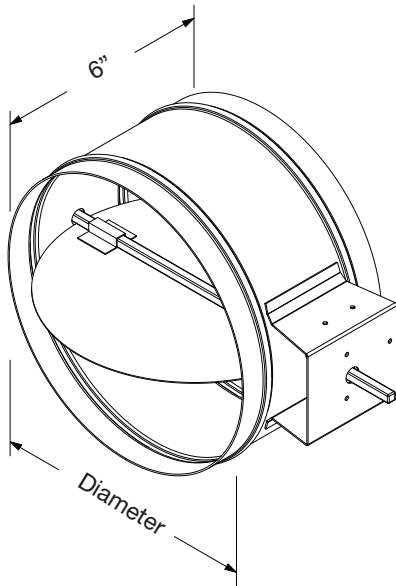
**Project:**

**Date:**

**Architect:**

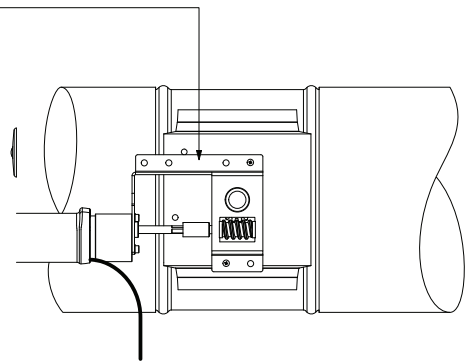
**Engineer:**

**Contractor:**



Battery powered universal damper drive (EB-UDD). Factory mounted to damper.

EB-250 Round Damper

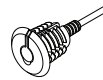


Plenum rated wiring with DC power connector:  
8', 15', 25', 50', 75' (longer custom lengths available)  
Connector Termination Options - shown below

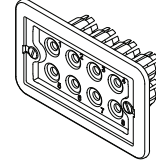
### Standard Damper Construction (over 12" high)

- 20 ga. Galvanized steel with rolled bead stiffeners
- Reinforced blade, self lubricating bearings
- Standoff bracket for mounting EB-UDD Damper Drive
- 3/8" square (flat/flat) axle assures non slip connection
- Operating temperature = -40° - 200° F.
- Max velocity = 1500 FPM
- Furnished 1/8" undersized for male slip-in

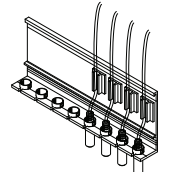
EB-SP1 Single Connector Wall Plate



EB-SP8 Eight Connector Wall Plate



EB-AB8 Surface Mount Wall Bracket



Patent Pending

Location/System	Qty.	Duct W x H Nominal Diameter	Cable Length	Termination

6235 South Oak Park Avenue Chicago, IL 60638 USA  
Toll free: 800.585.7686 708.552.4040  
Fax: 708.594.0396 www.metairtech.com

Represented by: