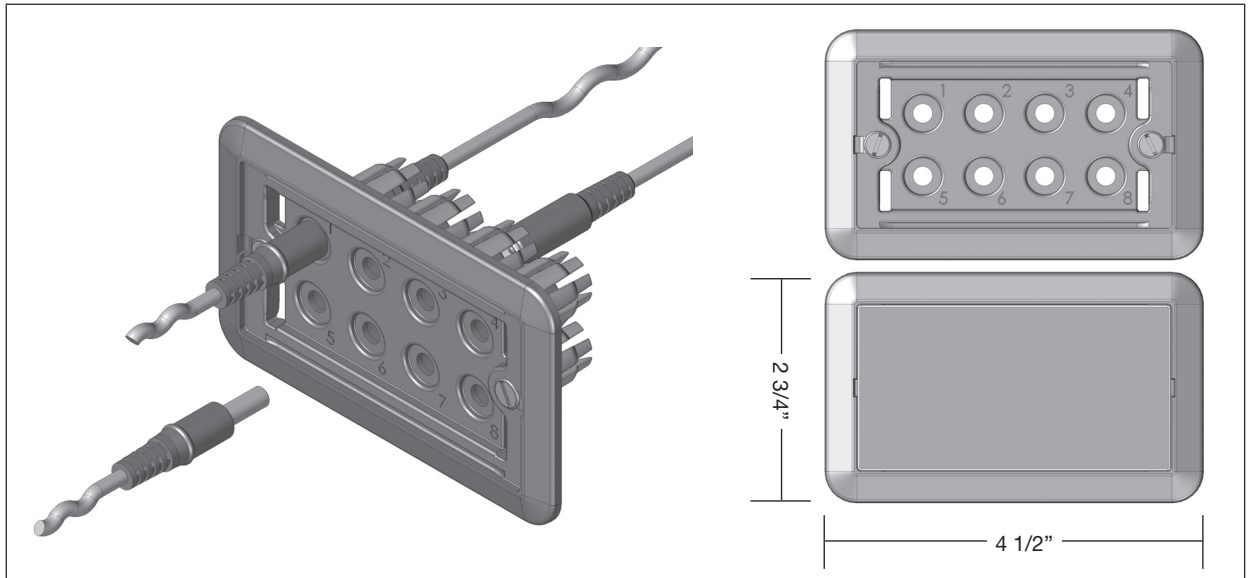


Electro-Balance® Multiple Port Finished Surface Interface Specifications



Patent pending

Furnish an 8 port white plastic surface termination plate and steel retaining bracket to capture and position Metropolitan Air Technology's Electro-Balance® over-molded cable connectors in a wall or ceiling opening. The surface termination plate shall be made from a UL94-V0 flammability rated paintable nylon material and mount flush to the wall (or ceiling) using a low-voltage (galvanized) steel retaining bracket or standard electrical box. Port locations shall be numbered and the inside surface of the removable cover shall provide space for port description information. The removable cover will install flush with the surrounding plate profile providing a smooth aesthetic appearance. Cable connectors shall snap manually into place from the rear without the need for any tools.

The 8 port surface interface plate shall be Metropolitan Air Technology LLC. (MAT) Model EB-SP8 and shall be used with MAT's Electro-Balance® battery powered damper systems.