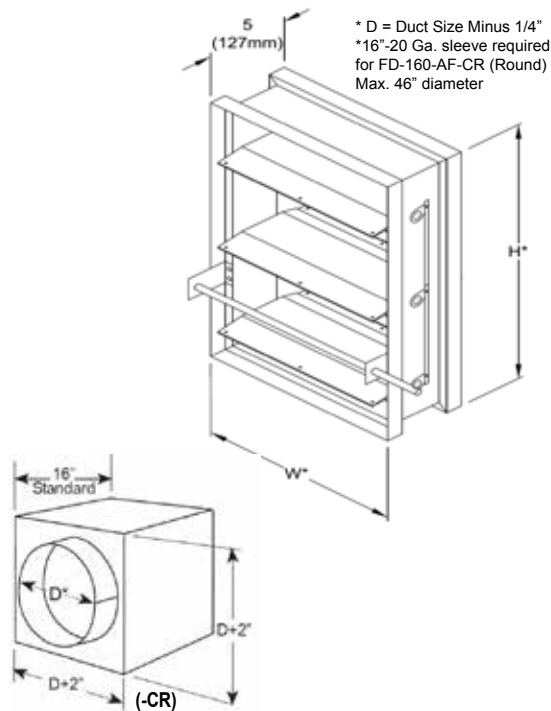




Model FD-160-AF Multi-Blade Curtain Fire Damper

UL 555 Classified 1-1/2 and 3 hours for use in static systems



Options

- Factory Sleeve (18 Ga min.)
- Retaining Angles
- 3 Hour Rating
- Round Transitions (FD-160-AF Round)
- Out of Wall Const. Available (See dwg. P-36 inst.)
- EFL (Electric Fusible Link)*
- PFV (Pneumatic Fusible Valve)*
- 250° - 350° (Actuator Req.)
- Mounting
 - Horizontal
 - Vertical

*Option provides quick and economical way to check damper operations and also provide a Systematic Closure Control. Option PFV allow damper operation without the need/cost for an EP valve and electrical connection at the damper.

Application

- The Model FD-160-AF is UL Classified for installation in walls, floors, and partitions with a fire rating of less than 3 hours.
- This damper may be installed horizontally or vertically in static HVAC systems that shut down in the event of fire.

Standard Construction

- Frame: 5" Roll formed Frame - 20 ga. Galvanized Steel hat-section w/staked corners & integral bracing
- Blades: Airfoil-shaped, roll-formed Double Skin Galvanized Steel, equivalent to 14 ga.
 - min. width: 5" (127mm)
 - max. width: 7" (178mm)
- Axles: square plated steel
- Linkage: Concealed in frame. Linkage bars are 1/8" (3.2mm)
- Bearings: Bronze Oilite press-fit into frame
- Closure Spring: Stainless Steel
- Fusible Link - UL-33: UL Classified 165°F (Standard), 212°F (Optional)
- Manual Locking Quadrant - (may be required for inspection)
- Maximum Velocity: 2000 fpm (10.2 m/s) on all sizes
- Maximum Pressure: 4" wg (1kPa). Consult Factory For Velocities up to 4000 FPM and 6.0" w.g.
- Non-sleeved (with side plate) dampers are furnished approximately 1/4" (6.4mm) smaller than given duct dimensions. Sleeved dampers are furnished approximately the same size as given duct dimension, unless otherwise noted.

Model FD-160-AF meets or complies with the following as a fire damper:

- All major building codes, including IBC/ICC International Code
- UL 555 Classified 1-1/2 and 3 Hour - File #R27198
- NFPA - 90A, 80

Sizes (duct) 1-1/2 Hour

Min. V or H	8" X 8", 203mm X 203mm
*Max. Vertical	108"W X 96"H, 2743mm X 2438mm
*Max. Horizontal	36"W X 48"H, 914mm X 1219mm

Sizes (duct) 3 Hour

Min. V or H	6" X 6", 152mm X 152mm
*Max. Vertical	72"W X 48"H, 1828mm X 1219mm
*Max. Horizontal	36"W X 48"H, 914mm X 1219mm
*May consist of multi-sections	

Due to continuing research, MAT reserves the right to change specifications without notice.

FD-160-AF, FD-160-AF-OW (Out of Wall), FD-160-AF-CR (Round)

Represented by:

6235 South Oak Park Avenue Chicago, IL 60638 USA
Toll free: 800.585.7686 +1.708.552.4040
Fax: +1.708.594.0396 www.metairtech.com

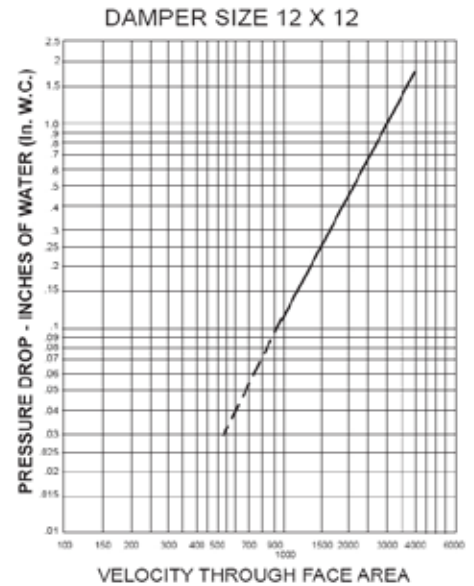
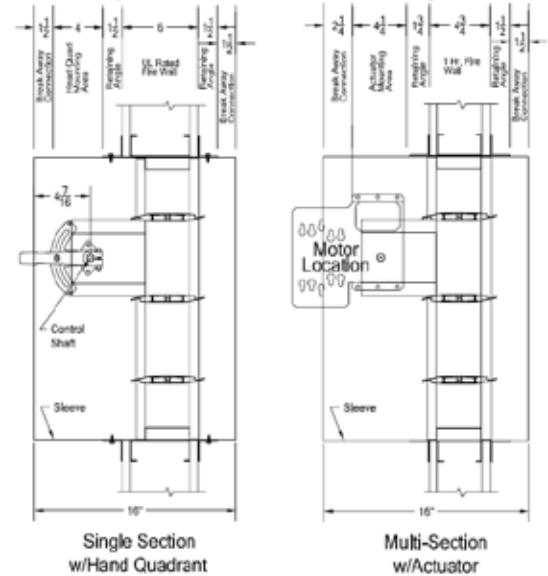
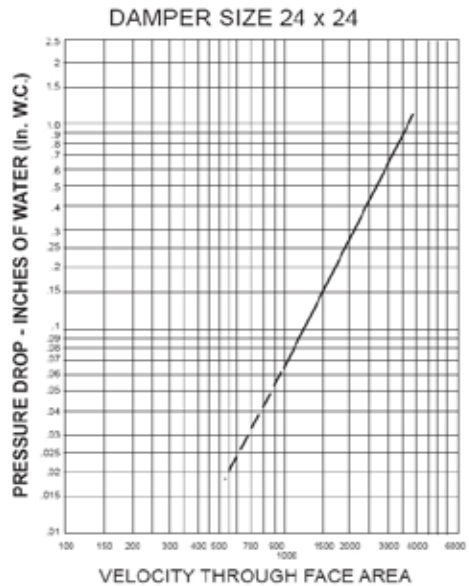
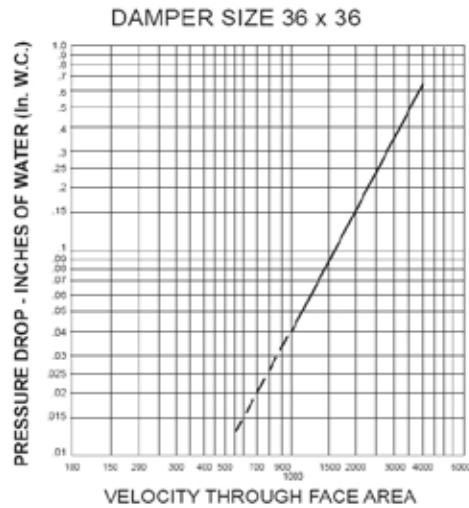


Model FD-160-AF Multi-Blade Static Fire Damper

UL 555 Classified low pressure drop airfoil blade - AMCA standard 500-D 1-1/2 & 3 hours

PERFORMANCE DATA

Pressure drop testing was done by an independent laboratory to AMCA Standard 500-D, Fig. 5.3 ductwork upstream & downstream.



FD-160-AF

6235 South Oak Park Avenue Chicago, IL 60638 USA
Toll free: 800.585.7686 +1.708.552.4040
Fax: +1.708.594.0396 www.metairtech.com

Represented by: