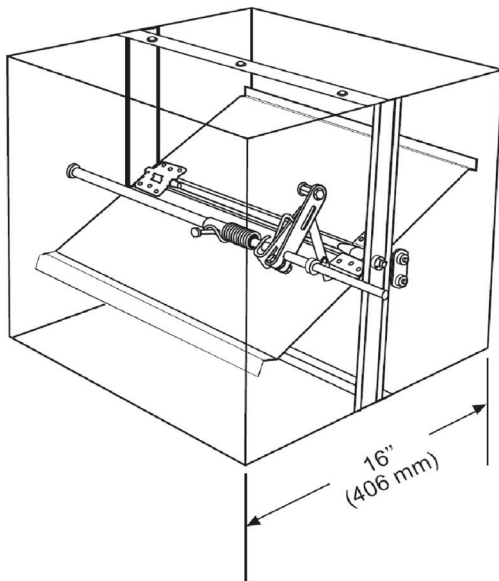




## Model FD-A-3V Single Blade Fire Damper

UL 555 Classified 1-1/2 hours for use in static systems



### Application

- The Model FD-A-3V is UL Classified for installation in walls, floors, and partitions with a fire rating of less than 3 hours.
- This damper may be installed horizontally or vertically in static systems that shut down in the event of fire.

### Standard Construction

- Frame: Roll formed Frame - 22 ga. Galvanized Steel - Integral Sleeve
- Blades: 16 ga. Galvanized Steel
- Axles: 3/8" square plated steel
- Linkage: Jackshaft to blade
- Bearings: Bronze Oilite press-fit into frame
- Closure Spring: Stainless Steel
- Fusible Link - UL-33: UL Classified 165°F (Standard), 212°F (Optional)
- Dampers are furnished approximately 1/8" (3.2mm) smaller than given duct dimensions

Model FD-A-3V meets or complies with the following as a fire damper:

- All major building codes, including IBC/ICC International Code
- UL 555 Classified 1-1/2 Hour - File #R27198
- NFPA - 90A, 80

### Sizes (duct) 1-1/2 Hour & 3 Hour

**Min. Size** 8"W X 8"H, 203mm X 203mm

**Max. Size** 16"W X 16"H, 406mm X 406mm

### Options

- Retaining Angles
  - One Side
  - Two Sides
- Mounting
  - Horizontal
  - Vertical

Due to continuing research, MAT reserves the right to change specifications without notice.

### FD-A-3V

Represented by:

6235 South Oak Park Avenue Chicago, IL 60638 USA

Toll free: 800.585.7686 +1.708.552.4040

Fax: +1.708.594.0396 [www.metairtech.com](http://www.metairtech.com)