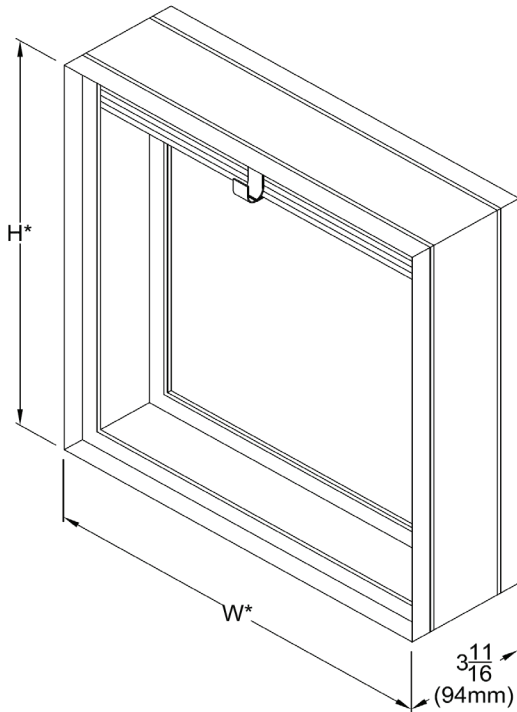




Model FD-A Curtain Fire Damper

UL 555 Classified 1-1/2 and 3 hours for use in static systems



Application

- The Model FD-A is UL Classified for installation in walls, floors, and partitions with a fire rating of less than 3 hours.
- This damper may be installed vertically or horizontally in static HVAC systems that automatically shut down in the event of fire. (See optional 3 hr rating)

Standard Construction

- Frame: Roll formed Frame - 22 ga. Galvanized Steel
- Blades: Low Profile Roll Formed - 22 ga. Galvanized Steel
- Closure Springs (horizontal models only): Stainless Steel constant force coil
- Fusible Link - UL-33: UL Classified 165°F (Standard), 212°F (Optional)
- Dampers are furnished approximate to the duct dimensions provided, unless otherwise noted

Model FD-A meets or complies with the following as a fire damper:

- All major building codes, including IBC/ICC International Code
- UL 555 Classified 1-1/2 and 3 Hour - File #R27198
- NFPA - 90A, 80

Sizes (duct) 1-1/2 Hour

- Min. V or H** 4" X 4", 102mm X 102mm
***Max. Vertical** 120"W X 120"H, 3048mm X 3048mm
***Max. Horizontal** 120"W X 40"H, 3048mm X 1016mm or
 96"W X 48"H, 2438mm X 1219mm

*May consist of multi-sections

Sizes (duct) 3 Hour

- Min. V or H** 4" X 4", 102mm X 102mm
***Max. Vertical or Horizontal** 80"W X 40"H, 2032mm X 1016mm

*May consist of multi-sections

Options

- Factory Sleeve (20 Ga min.)
- Retaining Angles
 - One Side
 - Both Sides
- 3 Hour Rating
- Mounting
 - Horizontal
 - Vertical

Due to continuing research, MAT reserves the right to change specifications without notice.

FD-A

6235 South Oak Park Avenue Chicago, IL 60638 USA
 Toll free: 800.585.7686 +1.708.552.4040
 Fax: +1.708.594.0396 www.metairtech.com

Represented by: