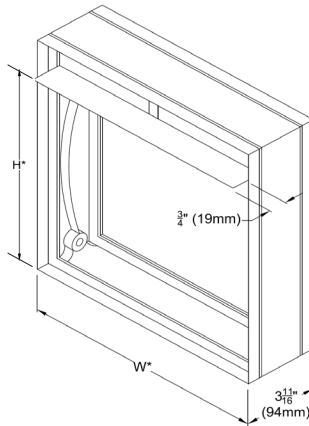




Model FDD-B Curtain Fire Damper

UL 555 Classified 1-1/2 and 3 hours for use in dynamic or static systems



Application

- The Model FDD-B is UL Classified for installation in walls, floors, and partitions with a fire rating of less than 3 hours.
- This damper may be installed vertically or horizontally in HVAC systems that continue to run in the event of fire. Also approved for static systems.
- (See optional 3 hr rating)

Standard Construction

- Frame: Roll formed Frame - 22 ga. Galvanized Steel
- Blades: Low Profile Roll Formed - 22 ga. Galvanized Steel
- Closure Spring: Stainless Steel constant force coil
- Fusible Link - UL-33: UL Classified 165°F (Standard), 212°F (Optional)
- Maximum Velocity: 2000 FPM (10.2 M/S)
- Maximum Pressure: 4" WG (1KPA)
- Dampers are furnished approximate to the duct dimensions provided, unless otherwise noted
- Dampers are furnished approximately 1/4" undersized to the duct dimensions provided, unless otherwise noted.

Model FDD-B meets or complies with the following as a fire damper:

- All major building codes, including IBC/ICC International Code
- UL 555 Classified 1-1/2 and 3 Hour - File #R27198
- NFPA - 90A, 80

Sizes (duct) 1-1/2 & 3 Hour

Min. V or H	6" X 4", 152mm X 101mm
*Max. Vertical	72"W X 32"H, 1829mm X 813mm
*Max. Horizontal	36"W X 32"H, 914mm X 813mm

*May consist of multi-sections

Options

- Factory Sleeve (20 Ga min.)
- Retaining Angles
 - One Side
 - Both Sides
- 3 Hour Rating
- Mounting
 - Horizontal
 - Vertical

Due to continuing research, MAT reserves the right to change specifications without notice.

FDD-B

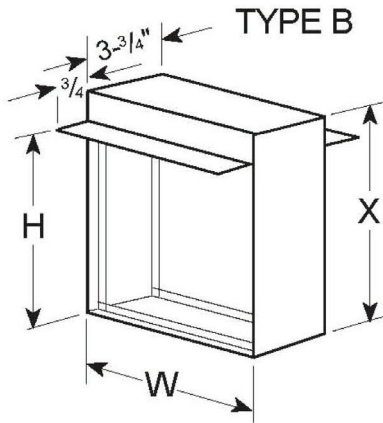
6235 South Oak Park Avenue Chicago, IL 60638 USA
Toll free: 800.585.7686 +1.708.552.4040
Fax: +1.708.594.0396 www.metairtech.com

Represented by:



Model FDD-B Curtain Fire Damper

UL 555 Classified 1-1/2 and 3 hours for use in dynamic or static systems



W = Width (Duct)

H = Height (Duct)

X = Variable (See Size Chart)

- Up to 20" duct height, damper is 2" higher than the duct height
- Up to 32" duct height, damper is 3" higher than the duct height

Duct Height	Vertical Mount Type "B" Damper Height	Horizontal Mount Type "B" Damper Height
Inches	Inches	Inches
4	6	6
5	7	7
6	8	8
7	9	9
8	10	10
9	11	11
10	12	12
11	13	13
12	14	14
13	15	15
14	16	16
15	17	17
16	18	18
17	19	19
18	20	20
19	21	21
20	22	22
21	24	24
22	25	26
23	26	27
24	27	28
25	28	29
26	29	30
27	30	31
28	31	32
29	32	33
30	33	34
31	34	35
32	35	36

Due to continuing research, MAT reserves the right to change specifications without notice.

FDD-B

Represented by:

6235 South Oak Park Avenue Chicago, IL 60638 USA
Toll free: 800.585.7686 +1.708.552.4040
Fax: +1.708.594.0396 www.metairtech.com