

The RT-200 Rectangular Damper Submittal Data

Project:		Date:
Architect:	Engineer:	Contractor:

Standard Construction

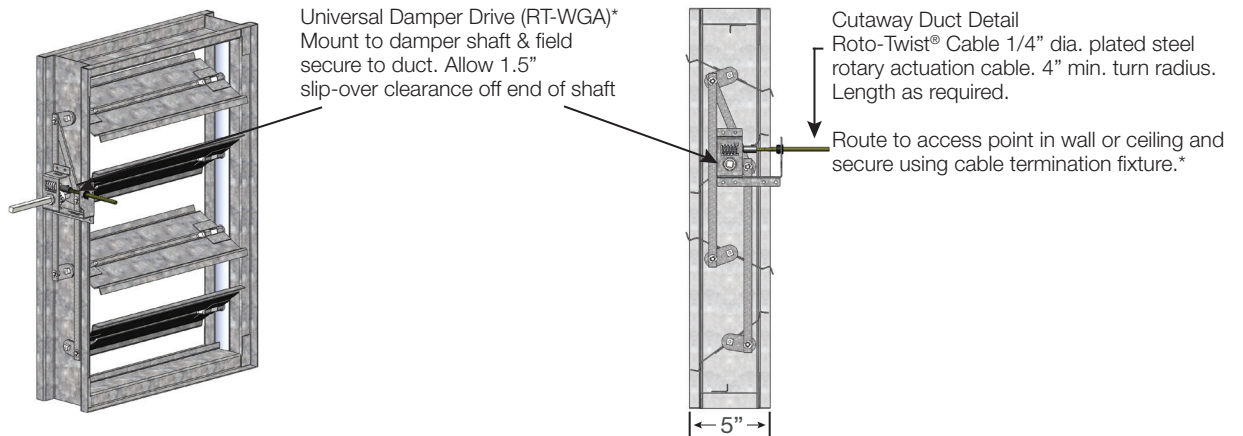
- 16 gage galvanized steel channel frame with braced corners
- 16 gage galvanized steel blades. 8" max width
- Opposed blade design (parallel blades optional)
- Self-lubricated synthetic bearings
- 3/8 square shaft assures non slip connection
- Maximum temperature = -40° to 240° F
Max velocity = 1500 FPM
- Width & height 1/4" undersized
- Max static pressure
 - 12" damper width
 - - 5" w.g.
 - 24" damper width - 4" w.g.
 - 36" damper width - 3" w.g.
 - 48" damper width - 2.5" w.g.

*** Cable Termination**

- RT-CCR Round Ceiling Cup
- RT-CCS Rectangular Ceiling/Wall Cup
- RT-CCM Round Miniature Ceiling Cup
- RT-MB Mounting Bracket
- RT-CCE Environmental Control Box
- RT-CCD Surface Mount Box
- MAT-1003 Angle bracket

Available Damper Sizes

- 6" x 5" to 48" x 48"
- Sectional Dampers available up to 96"x 96"



US Patent #5,702,298 Canadian Patent #2,185,311

Location/System	Qty	Damper Type & Size	Cable Length Standard = 25' (25' extension available)