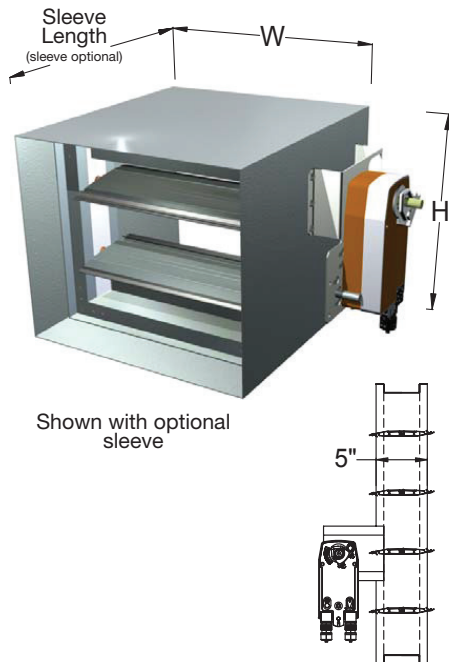




Model S-AFM-OB-I Low Leakage Modulating Smoke Damper

UL 555S Classified. Class I Leakage Rated.



Suggested Specification

Low leakage smoke control dampers shall be model S-AFM-OB-I by Metropolitan Air Technology. Double blade edge and jamb seals shall be of the pressure sensitive type for low leakage. Dampers shall be rated for leakage as to UL 555S and shall be class I with leakage not to exceed 8 cfm per sq. ft. at 4.0 inches static pressure. Linkage shall be of the concealed type for the maximum free area.

Manufacturer's Recommendations

All moving parts of the damper must be inspected and cycled at intervals not greater than every 12 months or in accordance with the latest edition of NFPA 90A, 92A, local codes and the actuator manufacturer. In addition, the damper shall be inspected for corrosion. Dry lubricants are recommended.

Application

- The Model S-AFM-OB-I is a UL listed and labeled Class I leakage rated Smoke Damper.
- Blades are of the airfoil shaped design for low pressure loss.
- The damper is approved for airflow in either direction and provides a maximum leakage of 8cfm/sq. ft. at 4" w.g. s.p.
- Designed to be installed in a vertical or horizontal mounting position in the ductwork or a separate sleeve with 24" of the smoke partition.
- These dampers are approved for use in engineered smoke control systems and are controlled via smoke detection system.

Standard Construction

- Frame: Roll formed frame - galvanized steel hat section w/staked corners and integral bracing
- Blades: Airfoil-shaped, double skin galvanized steel of roll-formed construction
- Axles: Square plated steel
- Seals: Pressure sensitive 450° silicone blade edge seals and flexible metal jamb seals
- Linkage: Concealed in frame. Linkage bars are 1/8" (3.2mm)
- Bearings: Bronze Oilite press-fit into frame
- Actuator: Belimo FSAFB-24-SR (External (std.) or internal mounted (optional))
- Maximum Velocity: 2000fpm (10.2 M/S) on all sizes
- Maximum Pressure: 4" w.g. (1kPa)

Min. Size V or H: 8" x 8", 203mm x 203 mm

***Max. Size** Single Section: 32" x 30", 803mm x 762mm
Multiple Section: 96" x 60", 2438mm x 1524mm

Options

- Factory sleeve: 20 Ga. minimum
- Sleeve Length: 16" minimum
- Parallel blade action (Model S-AFM-PB-I)
- Actuator in airstream (internal mount)
- Integral endswitch (Actuator model FSAFB-24-SR-S)

Notes

*Non- sleeved and side plated dampers are furnished approximately 1/4" (6.4mm) smaller than given duct dimensions. Sleeved dampers are furnished approximately same size as given duct dimension, unless otherwise noted.

*Not recommended with blades running vertically.

Model S-AFM-OB-I Low Leakage Modulating Smoke Damper

6235 South Oak Park Avenue Chicago, IL 60638 USA
Toll free: 800.585.7686 +1.708.552.4040
Fax: +1.708.594.0396 www.metairtech.com

Represented by:

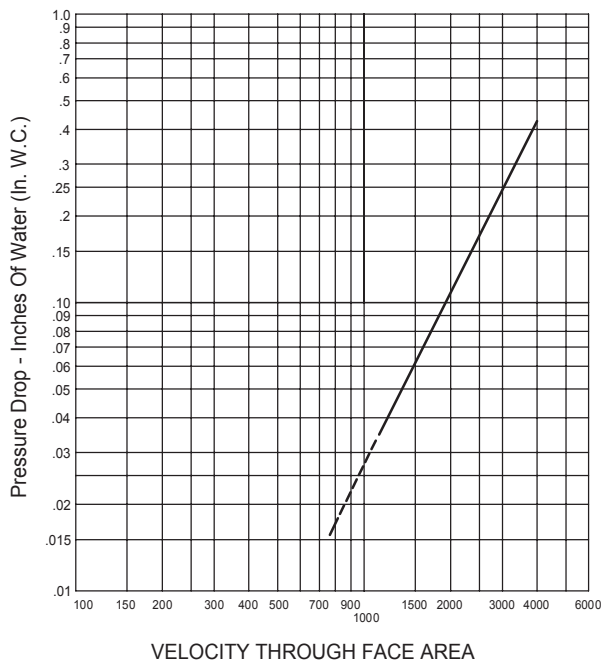


Model S-AFM-OB-I Low Leakage Modulating Smoke Damper

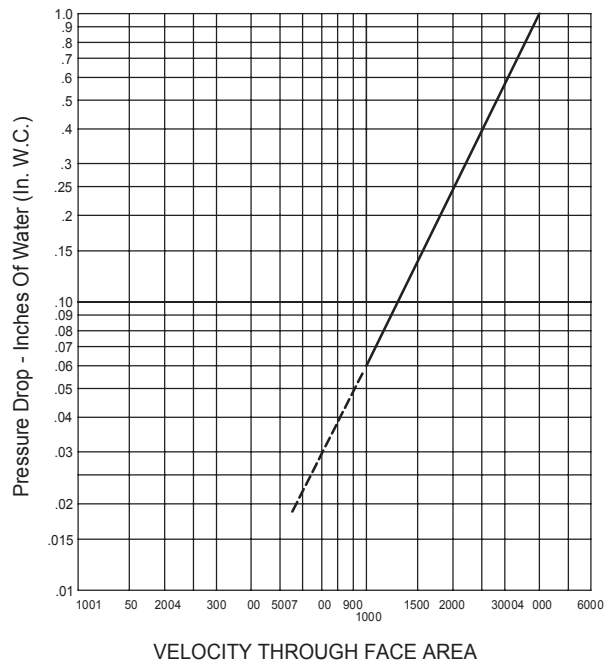
UL 555S Classified. Class I Leakage Rated. Performance Data

Pressure drop testing was done by an independent laboratory to the AMCA Standard 500-D, Fig. 5.3 ductwork upstream and downstream.

Damper Size 24 x 24



Damper Size 12 x 12



Represented by:

6235 South Oak Park Avenue Chicago, IL 60638 USA
Toll free: 800.585.7686 +1.708.552.4040
Fax: +1.708.594.0396 www.metairtech.com