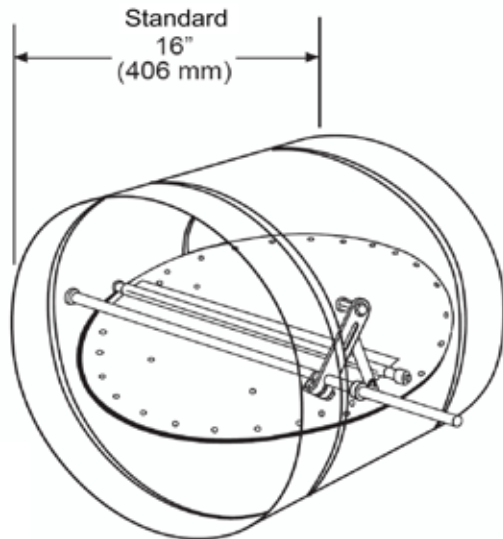




Model S-RD-II True Round - Low Leakage Smoke Damper

UL 555S Classified Class II Leakage Class



Suggested Specification

Low Leakage Smoke Control Dampers shall be Model: S-RD-II by Metropolitan Air Technology. Single blade edge seal shall be of the pressure sensitive type for low leakage. Dampers shall be rated for leakage as to UL 555S rating shall be Class II with leakage not to exceed 20 cfm per sq. ft. at 4.0 inches static pressure. Linkage shall be jackshafted to the blade.

Manufacturer's Recommendations

All moving parts of the damper must be inspected and cycled at intervals not greater than every 12 months or in accordance with the latest edition of NFPA 90A, 92A, local codes and the actuator manufacturer. In addition, fuse links shall be removed and inspected for corrosion. Dry lubricants are recommended.

Notes

Not recommended with blades running vertically.

Application

- The Model S-RD-II is a UL Classified and labeled Class II leakage rated True Round Smoke Damper. Blades are of the double thickness, round design.
- The damper is approved for airflow in either direction and provides a maximum leakage of 20 cfm/sq. ft at 4" wg. s.p. It has been designed to be installed in a vertical or horizontal mounting position in the duct-work or a separate sleeve within 24" of the smoke partition.
- These dampers are approved for use in engineered smoke control systems and are controlled via smoke detection system. Electric (24v, 120v, and 230v) or pneumatic actuators are used to operate the smoke dampers.
- UL 555S Classified at 250 °F or 350 °F depending upon motor/operator *see motor/operator schedule

Standard Construction

- Frame: Roll formed Frame - Galvanized Steel - 16" Integral Sleeve
- Blades: Double thickness galvanized Steel of roll-formed construction.
- Axles: Square plated steel
- Seals: Pressure Sensitive 450° silicone blade edge seals and flexible metal jamb seals.
- Linkage: Jackshafted to blade
- Bearings: Bronze Oilite press-fit into frame
- Designed and tested in accordance to standards: UL 555S classified and listed by UL under File #R27198. They meet all the NFPA-90A, IBC Code, and other major code requirements for Smoke Dampers
- Dampers are provided approximately 1/8" (3.2mm) smaller than given duct dimensions

Sizes (duct)

Min. V or H 8" - 24" Diameter, 203mm - 610mm

Options

- Factory sleeves (20 Ga minimum. 16" min length) (16" X 20 ga. side plate provided if no sleeve is indicated)
- Actuator
 - Electric
 - Pneumatic. 25 psi
- Smoke Detector*
 - Ionization
 - Photoelectric
 - *Must have 24" Sleeve
- Micro-Switch Package

Due to continuing research, MAT reserves the right to change specifications without notice.

S-RD-II

Represented by:

6235 South Oak Park Avenue Chicago, IL 60638 USA
Toll free: 800.585.7686 +1.708.552.4040
Fax: +1.708.594.0396 www.metairtech.com