



Typical Motor Mount Locations For Fire/Smoke & Smoke Dampers

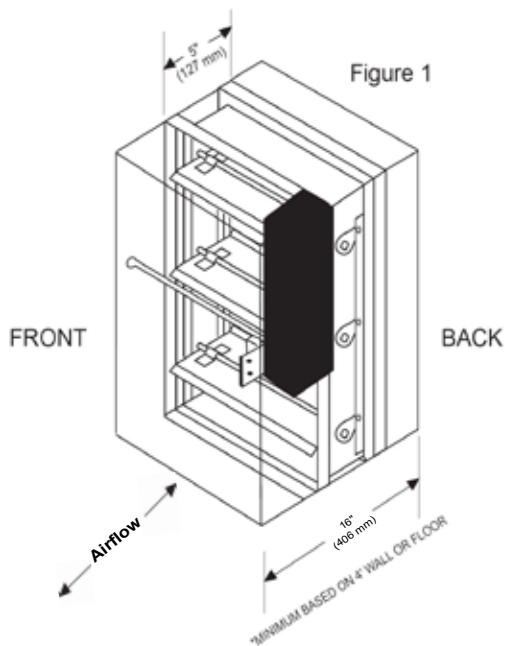
NOTE

- Appropriate sleeve length is determined by adding 12" to wall or floor thickness, eg. An 8" wall or floor would require a 20" long sleeve.
- Blade edge seals apply to Class I and II Dampers only.
- Damper positioning dimensions for all figures are approximately 9-3/8" from and 2-5/8" from back.

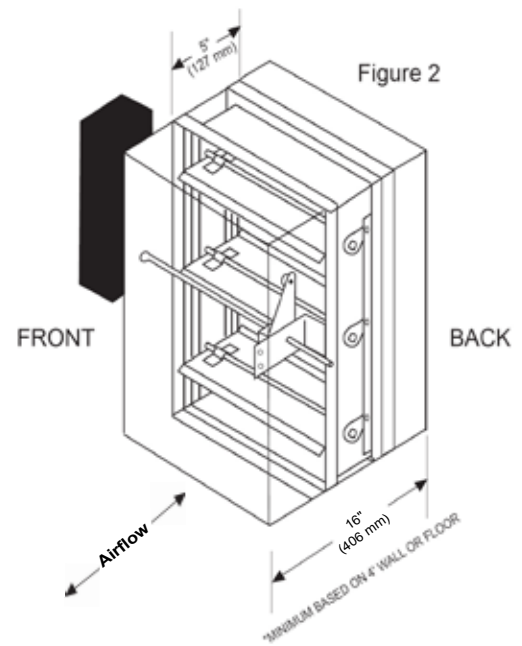
Manufacturer's Recommendations

All moving parts of the damper must be inspected and cycled at intervals not greater than every 12 months or in accordance with the latest edition of NFPA 90A, 92A, local codes and the actuator manufacturer. In addition, fuse links shall be removed and inspected for corrosion. Dry lubricants are recommended.

Normal Right Hand Mount



Normal Left Hand Mount - Standard



Due to continuing research, MAT reserves the right to change specifications without notice.