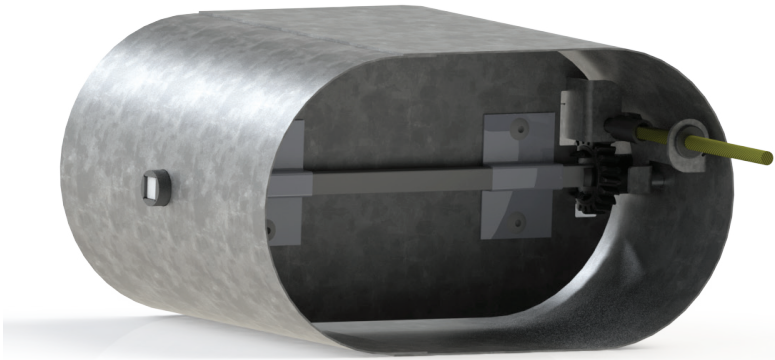


## Designed for Linear Slot Plenum Boxes. Easy to Install. Simple to Use.

**Roto-Twist Remotely Operated Airflow Balancing Oval Dampers ship fully assembled and install in minutes. The line can be used in new construction, or as a retrofit in existing buildings.**



The RT-180 Oval Damper is the newest addition to our successful line of quality remotely operated airflow balancing dampers manufactured in the US. Developed to address the growing demand for a solution that fits slot plenum boxes, our Oval Damper line boasts the same features as the other products in the family, including quality construction, fast installation, ease of operation and it ships fully assembled. The line is currently designed for Titus, Kruegar and Tuttle & Bailey slot plenums, and can be used in new construction or in retrofit projects.

### Oval Damper Features & Benefits

#### Design & Materials

- 8" deep galvanized steel frame and blade (20 ga).
- Low profile helical gear set accepts rotary actuation cable.
- 1/4" dia. galvanized steel rotary cable. Length as required up to 10'. Supplied with nylon cable clamp and 5/16" hex self-drilling screw for termination of cable tip behind diffuser face.

#### Size Options

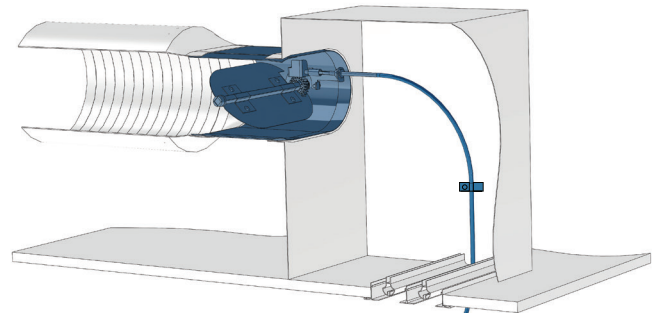
- Available Sizes 6", 8", 10" and 12" flat ovals for Titus, Kruegar and Tuttle & Bailey slot plenums.

#### Features

- Furnished fully assembled
- Dampers can be installed in 10 minutes!
- No linkages or cable to adjust
- No small loose parts to get lost
- Dampers may be installed in any plane

#### Performance

- Cable minimum turn radius = 4".
- Operating temperature limits = -40° to 240° F
- Maximum recommended velocity = 1600 FPM



#### Operation is simple.

*Airflow balancing and damper adjustment are performed at the face of the diffuser. The damper is adjusted via rotary cable actuation using a nut driver or flat head screwdriver. After balancing is complete, the cable is recessed behind the diffuser.*

