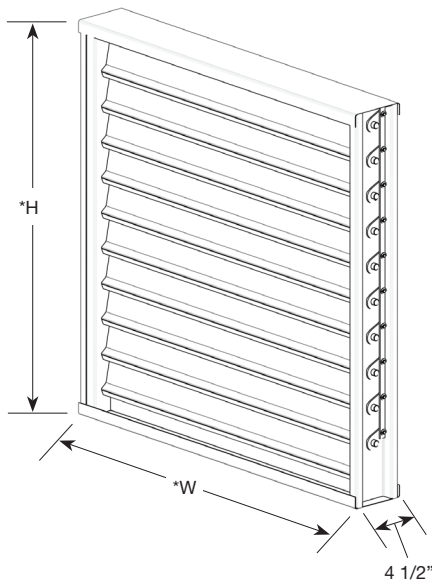


Model BD-200-HD-FS Heavy Duty Pressure Relief Damper



Application

The BD-200-HD-FS is a vertically mounted pressure relief damper designed for inert gas and CO² fire suppression system venting* and similar low back pressure applications that require specific opening pressures.

*IG-01 (100% Argon), IG-100 (100% Nitrogen), IG-55 (50% Nitrogen, 50% Argon), IG-541 (52% Nitrogen, 40% Argon & 8% CO₂) AND Carbon Dioxide (CO₂)

Standard Construction

- Frame: 16ga. Galvanized Steel with 1 1/2" single flange
- Blade: 16ga. Galvanized Steel V-Blade
- Linkage: Zinc plated concealed
- Axles: 1/2" diameter zinc plated steel
- Bearings: Bronze Oilite
- Blade Seals: PVC (180° F)
- Counterbalance weights inside the airstream

Performance

- Start to open pressure greater than 20 Pa. Full venting achieved at less than 100 Pa (blade open angle of approximately 65°)
- 2 hr fire resistance (third party tested to UL 555)
- Max Operating Temperature - 180°F

Sizes & Vent Area

W x H (mm)	304 x 304	406 x 406	508 x 508	610 x 610	711 x 711	812 x 812	914 x 914
Free Vent Area (sqm)	.044	.063	.148	.223	.267	.421	.542
Wall Opening	320 x 320	420 x 420	520 x 520	625 x 625	725 x 725	825 x 825	930 x 930

Options

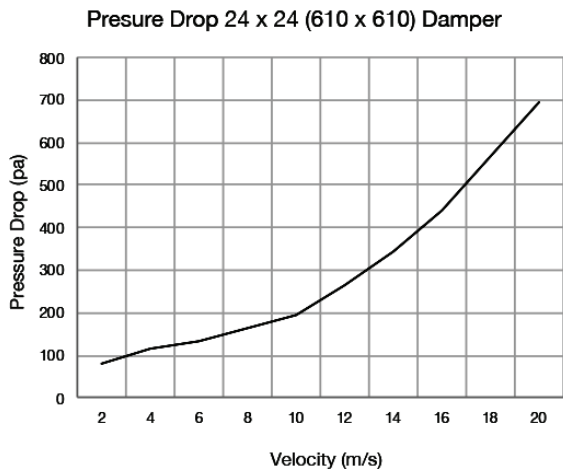
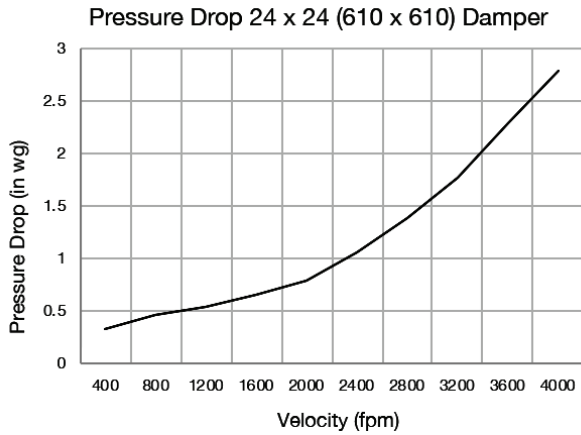
- Heavier gauge steel frame construction
- No flange or custom flange
- Stainless steel construction
- Epoxy coated
- 450°F silicone blade seals
- Alternate opening pressures
- Counterbalance weights outside the air stream

BD-200-HD-FS

6235 South Oak Park Avenue Chicago, IL 60638 USA
Toll free: 800.585.7686 +1.708.552.4040
Fax: +1.708.594.0396 www.metairtech.com

Represented by:

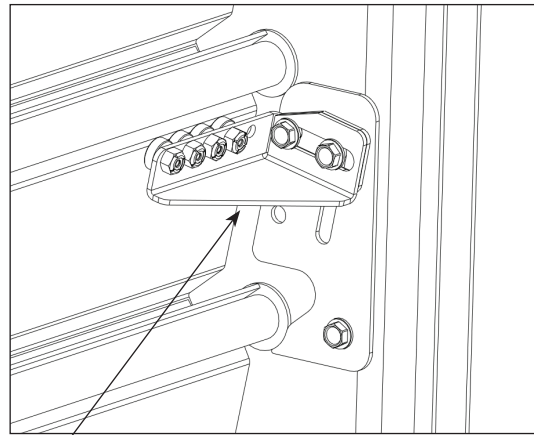
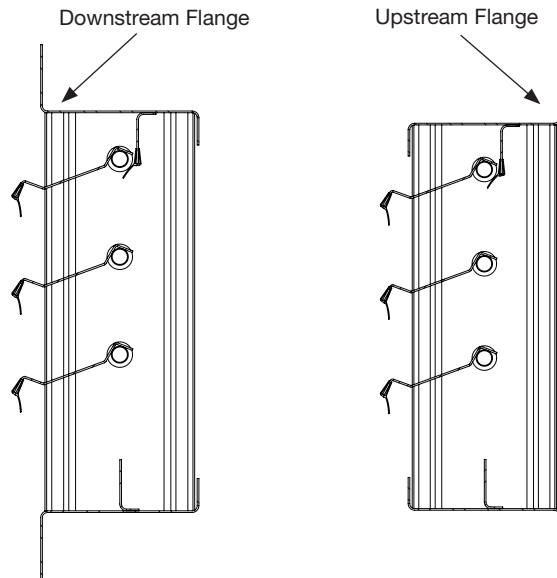
Model BD-200-HD-FS Heavy Duty Pressure Relief Damper Performance Data



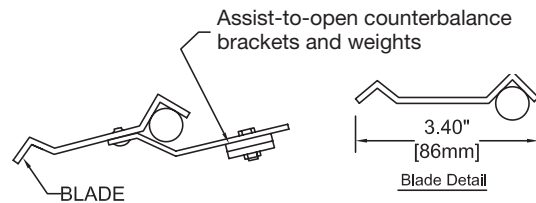
Tested per AMCA Std. 500, Fig. 5.4
 Damper is configured with counterbalance and magnetic latch for a start to open pressure greater than 20 pa. and full venting achieved by 100 pa.



counterbalance weights mounted to blades



Magnetic latch (located behind the damper blades) is used to delay start to open pressures.



Represented by:

6235 South Oak Park Avenue Chicago, IL 60638 USA
 Toll free: 800.585.7686 +1.708.552.4040
 Fax: +1.708.594.0396 www.metairtech.com