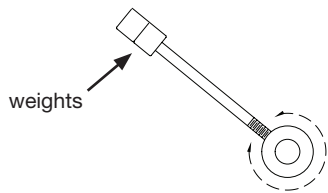
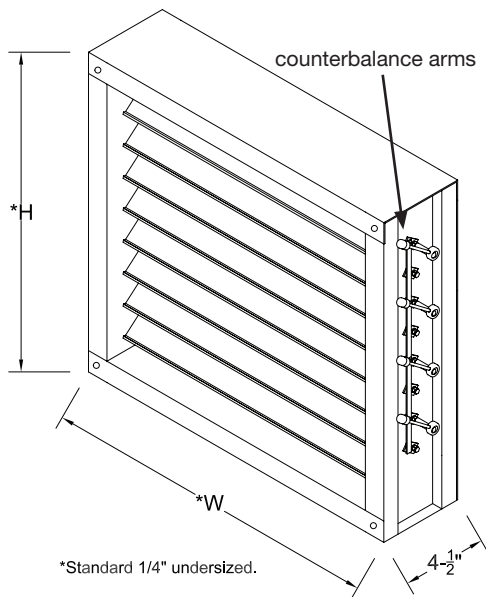
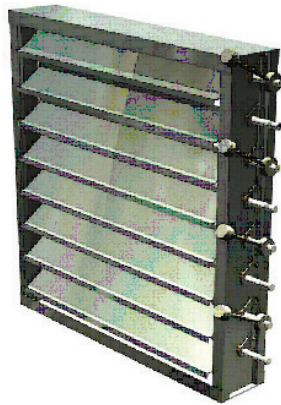
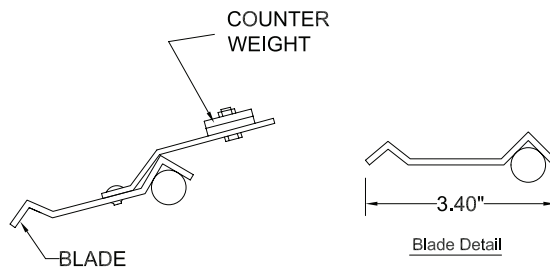


Model BD-200-HD Heavy Duty Pressure Relief Damper



Precision Counter Balanced;
both by counterweight arm
rotation around hub or by sliding
weight(s) up or down the rod



Optional: In airstream counter balanced
(no side plate)

Application

The BD-200-HD is a vertically or horizontally mounted backdraft or pressure relief damper that is designed to allow vertical or horizontal airflow and prevent reverse airflow.

Standard Construction

- Frame: 16ga. Galvanized Steel
- Blade: 16ga. Galvanized Steel V-Blade
- Linkage: Zinc plated concealed
- Axles: 1/2" diameter cast zinc & steel
- Bearings: Bronze Oilite
- Blade Seals: PVC (180° F)

Min. Size 6" w x 6" h, (152mm x 152mm)

Max. Single Section 48" w x 48" h, (1219mm x 1219mm)

Max. Double Section 96" w x 96" h, (2438 x 2438mm)

Ratings

- Pressure: 4 in. w.g. - differential pressure
- Velocity: 4000 fpm
- Temperature: 180° F
- 2 hr fire resistance (tested to UL 555)

Options

- Heavier gauge steel construction
- Standard 1 1/2" flange or custom flange
- Side Plate (20ga. galvanized steel)
- Stainless Steel construction
- Blast resistant reinforcement (for loads up to 4 psi)
- In airstream counterbalanced weights
- Epoxy coated (powder coated @ 415°F)
- 450°F silicone blade seals
- Factory installed actuator for power open (internal mount)
Model BD-200-HD-M

Model BD-200-HD Heavy Duty Pressure Relief Damper

Performance Data

DAMPER PERFORMANCE

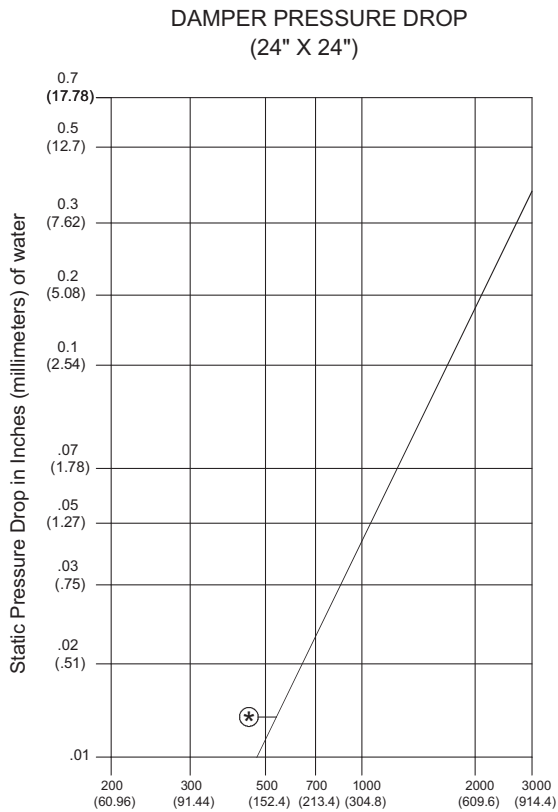
DAMPER WIDTH	MAXIMUM BACK PRESSURE	MAXIMUM SYSTEM VELOCITY	LEAKAGE*		BLADES START TO OPEN	BLADES FULLY OPEN
			Percent of Max. Flow	CFM/ Sq. Ft.		
48" (1219)	4.0" w.g.	4000 FPM (20 m/s)	.61	15		
36" (914)	8.0" w.g.	4000 FPM (20 m/s)	.6	15	** .01" w.g.	** .05" w.g.
24" (610)	12.0" w.g.	4000 FPM (20 m/s)	.72	18		
12" (305)	16.0" w.g.	4000 FPM (20 m/s)	1	24		

*Leakage information based on pressure differential of 1" w.g. tested per AMCA Std. 500.

**set at least resistant to open

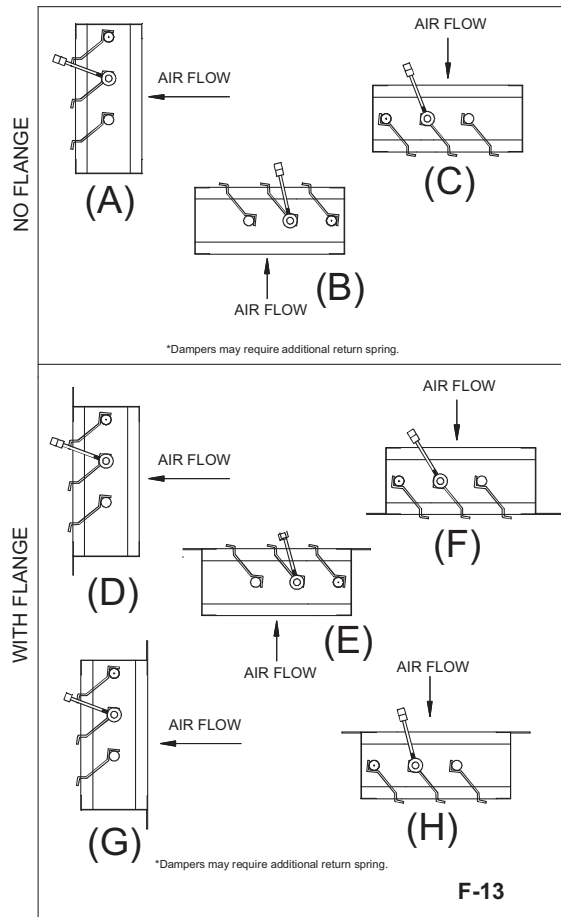
BD-200-HD AIR FLOW ARRANGEMENTS

Standard counter weights at jamb
(assist to CLOSE)



Air Velocity in feet (meters) per minute through face area.
Tested per AMCA Std. 500, Fig. 5.3, ductwork upstream and downstream.

* Set at least resistant to open



Represented by:

6235 South Oak Park Avenue Chicago, IL 60638 USA

Toll free: 800.585.7686 +1.708.552.4040

Fax: +1.708.594.0396 www.metairtech.com