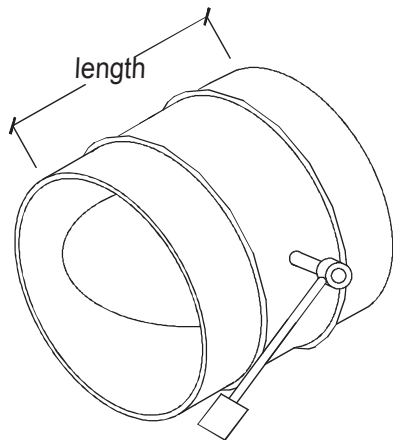
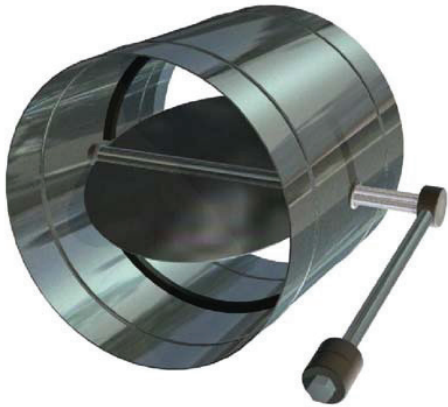


## Model BD-250 Round Pressure Relief Damper



**MODEL BD-250**  
o.d. undersized approx. 1/8"

DIAMETER	LENGTH	FRAME & BLADE THICKNESS
4 - 10"	8"	24 GA GALVANIZED
12" - 18"	8"	20 GA GALVANIZED
20" - 32"1	8"	8 GA GALVANIZED

### Application

The Round Pressure Relief Damper has been developed due to a response from contractors requiring an easy to balance damper. There are many applications: Heat Pump Relief, By Pass, etc. The BD-250 can be adjusted by moving the weights up or down or rotating the extension arm.

### Standard Construction

- Frame: Galvanized Steel, see chart for gauge
- Blade: Light Weight Galvanized Steel
- Bearing: Nylon 6/6
- Axle: Aluminum Shaft 1/2" Dia.
- Seal: Volera gaskets in closed position for minimal leakage

**Sizes** 4", 5", 6", 7", 8", 9", 10", 12", 14", 16", 18", 20", 22", 24", 26", 28", 30",

### Options

- 304 Stainless Steel Construction
- 316 Stainless Steel Construction
- Additional Weights

PERFORMANCE			
DIAMETER	CFM	DIAMETER	CFM
6"	250	18"3	000
7"	300	20"3	700
8"	400	22"	4400
9"	600	24"	5300
10"	750	26"	6200
12"	1200	28"	7200
14"	1800	30"	8300
16"	2400	32"	9400

Due to continuing research, MAT reserves the right to change specifications without notice.

### BD-250

Represented by:

6235 South Oak Park Avenue Chicago, IL 60638 USA  
Toll free: 800.585.7686 +1.708.552.4040  
Fax: +1.708.594.0396 www.metairtech.com