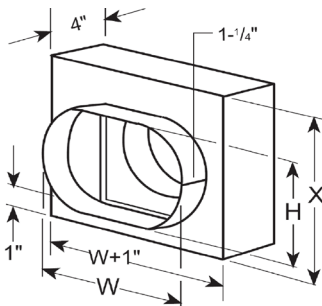
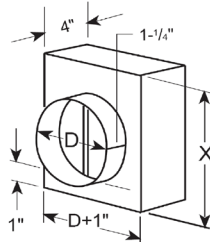
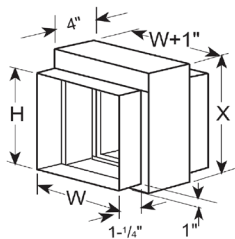
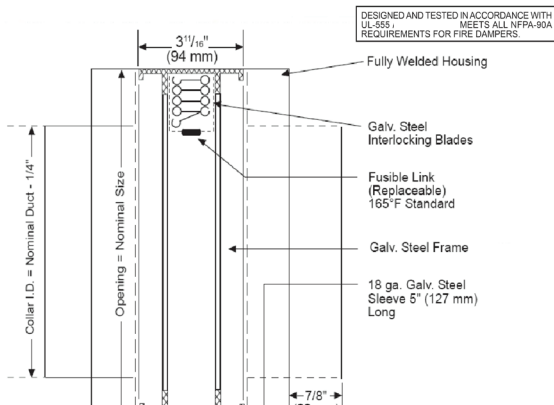




Model FD-ACHP (Welded Sleeve) Curtain Fire Damper

UL 555 Classified 1.5 & 3 hours for use in static systems (up to 12" static pressure)



W = Width (Duct) H = Height (Duct) D = Diameter
X = Variable (See Size Chart)

Application

- The Model FD-ACHP is UL Classified for installation in walls, floors, and partitions with a fire rating of less than 3 hours.
- This damper may be installed vertically or horizontally in static systems that shut down in the event of fire. (See optional 3 hr rating)
- These dampers are rated for duct pressure static leakage. Leakage through damper is not rated. Dampers are sealed via fully welded sleeve and transition.

Standard Construction

- Frame: Roll formed Frame - 22 ga. Galvanized Steel
- Blades: Low Profile Roll Formed - 22 ga. Galvanized Steel
- Closure Springs (horizontal models only): Stainless Steel constant force coil
- Fusible Link - UL-33: UL Classified 165°F (Standard), 212°F (Optional)
- Sleeve: 5" (127mm) X 18 ga. Steel
- Dampers are furnished approximately 1/4" undersized to the duct dimensions provided, unless otherwise noted.

Model FD-ACHP meets or complies with the following as a fire damper:

- All major building codes, including IBC/ICC International Code
- UL 555 Classified 1-1/2 & 3 Hour - File #R27198
- NFPA - 90A, 80

Sizes (duct) 1-1/2 & 3 Hour

Rectangular or Oval

- Min. V or H** 4" X 3", 102mm X 76mm
- *Max. Vertical** 47"W X 42"H, 1194mm X 1067mm
- *Max. Horizontal** 47"W X 42"H, 1194mm X 1067mm

Round

- Min. V or H** 4", 102mm
- *Max. Vertical** 37", 940mm
- *Max. Horizontal** 31", 787mm
- *May consist of multi-sections

Options

- Factory Sleeve (18 Ga min.)
- Retaining Angles
 - One Side
 - Both Sides
- 3 Hour Rating
- Mounting
 - Horizontal
 - Vertical

FD-ACHP

6235 South Oak Park Avenue Chicago, IL 60638 USA
Toll free: 800.585.7686 +1.708.552.4040
Fax: +1.708.594.0396 www.metairtech.com

Represented by: