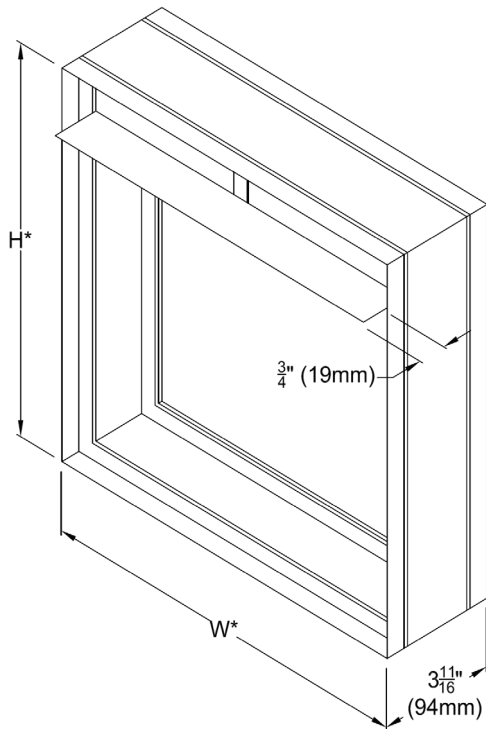




Model FD-B Curtain Fire Damper

UL 555 Classified 1-1/2 and 3 hours for use in static systems



Application

- The Model FD-B is UL Classified for installation in walls, floors, and partitions with a fire rating of less than 3 hours.
- This damper may be installed vertically or horizontally in static HVAC systems that automatically shut down in the event of fire. (See optional 3 hr rating)

Standard Construction

- Frame: Roll formed Frame - Galvanized - 22 ga. Standard 20 Ga Optional
- Blades: Low Profile Roll Formed - Galvanized - 22 ga. Standard 20 Ga Optional
- Closure Springs (horizontal models only): Stainless Steel constant force coil
- Fusible Link - UL-33: UL Classified 165°F (Standard), 212°F (Optional)
- Dampers are furnished approximate to the duct dimensions provided, unless otherwise noted
- Dampers are furnished approximately 1/4" undersized to the duct dimensions provided, unless otherwise noted.

Model FD-B meets or complies with the following as a fire damper:

- All major building codes, including IBC/ICC International Code
- UL 555 Classified 1-1/2 and 3 Hour - File #R27198
- NFPA - 90A, 80

Sizes (duct) 1-1/2 Hour

Min. V or H	4" X 3", 102mm X 76mm
*Max. Vertical	120"W X 110"H, 3048mm X 2794mm
*Max. Horizontal	120"W X 32"H, 3048mm X 813mm or 96"W X 38"H, 2438mm X 965mm

*May consist of multi-sections

Sizes (duct) 3 Hour

Min. V or H	4" X 3", 102mm X 76mm
*Max. Vertical or Horizontal	80"W X 33"H, 2032mm X 838mm

*May consist of multi-sections

Options

- Factory Sleeve (20 Ga min.)
- Retaining Angles
 - One Side
 - Both Sides
- 3 Hour Rating
- Mounting
 - Horizontal
 - Vertical

Due to continuing research, MAT reserves the right to change specifications without notice.

FD-B

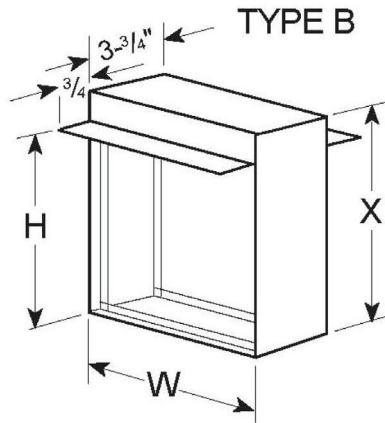
Represented by:

6235 South Oak Park Avenue Chicago, IL 60638 USA
Toll free: 800.585.7686 +1.708.552.4040
Fax: +1.708.594.0396 www.metairtech.com



Model FD-B Curtain Fire Damper Size Chart

Horizontal and vertical 1-1/2 and 3 hour



W = Width (Duct)

H = Height (Duct)

X = Variable (See Size Chart)

- Up to 20" duct height, damper is 2" higher than the duct height
- Up to 32" duct height, damper is 3" higher than the duct height
- Up to 42" duct height, damper is 4" higher than the duct height
- Up to 55" duct height, damper is 5" higher than the duct height
- Up to 64" duct height, damper is 3" higher than the duct height
- Up to 84" duct height, damper is 4" higher than the duct height
- Up to 110" duct height, damper is 5" higher than the duct height

Duct Height "H"	"X" Dimension (Actual Size) X = Damper Height	Duct Height "H"	"X" Dimension (Actual Size) X = Damper Height
Inches	Inches	Inches	Inches
3	5	62	65
4	6	63	66
5	7	64	67
6	8	65	69
7	9	66	70
8	10	67	71
9	11	68	72
10	12	69	73
11	13	70	74
12	14	71	75
13	15	72	76
14	16	73	77
15	17	74	78
16	18	75	79
17	19	76	80
18	20	77	81
19	21	78	82
20	22	79	83
21	24	80	84
22	25	81	85
23	26	82	86
24	27	83	87
25	28	84	88
26	29	85	90
27	30	86	91
28	31	87	92
29	32	88	93
30	33	89	94
31	34	90	95
32	35	91	96
33	37	92	97
34	38	93	98
35	39	94	99
36	40	95	100
37	41	96	101
38	42	97	102
39	43	98	103
40	44	99	104
41	45	100	105
42	46	101	106
43	48	102	107
44	49	103	108
45	50	104	109
46	51	105	110
47	52	106	111
48	53	107	112
49	54	108	113
50	55	109	114
51	56	110	115
52	57		
53	58		
54	59		
55	60		
56	59		
57	60		
58	61		
59	62		
60	63		
61	64		

FD-B

6235 South Oak Park Avenue Chicago, IL 60638 USA
Toll free: 800.585.7686 +1.708.552.4040
Fax: +1.708.594.0396 www.metairtech.com

Represented by: