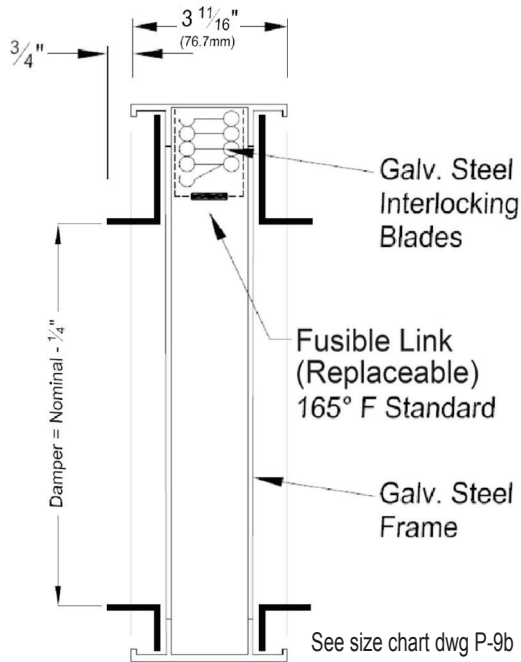




Model FD-C Curtain Fire Damper

UL 555 Classified 1-1/2 and 3 hours for use in static systems



Options

- Factory Sleeve (20 Ga min.)
- Retaining Angles
 - One Side
 - Both Sides
- 3 Hour Rating
- Taped & Sealed Transition for Medium Pressure System
- Caulked & Sealed Damper Frame/Sleeve
- Mounting
 - Horizontal
 - Vertical

Application

- The Model FD-C is UL Classified for installation in walls, floors, and partitions with a fire rating of less than 3 hours.
- This damper may be installed vertically or horizontally in static HVAC systems that automatically shut down in the event of fire. (See optional 3 hr rating)

Standard Construction

- Frame: Roll formed Frame - 22 ga. Galvanized Steel
- Blades: Low Profile Roll Formed - 22 ga. Galvanized Steel
- Closure Springs (horizontal models only): Stainless Steel constant force coil
- Fusible Link - UL-33: UL Classified 165°F (Standard), 212°F (Optional)
- Dampers are furnished approximate to the duct dimensions provided, unless otherwise noted
- Dampers are furnished approximately 1/4" undersized to the duct dimensions provided, unless otherwise noted.

Model FD-C meets or complies with the following as a fire damper:

- All major building codes, including IBC/ICC International Code
- UL 555 Classified 1-1/2 and 3 Hour - File #R27198
- NFPA - 90A, 80

Sizes (duct) 1-1/2 Hour

Rectangular or Oval

Min. V or H	3" X 3", 76mm X 76mm
*Max. Vertical	118"W X 108"H, 2997mm X 2743mm
*Max. Horizontal	118"W X 31"H, 2997mm X 787mm or 94"W X 37"H, 2388mm X 940mm

Round

Min. V or H	3", 76mm
*Max. Vertical	42", 1067mm
*Max. Horizontal	37", 940mm

Sizes (duct) 3 Hour

Rectangular or Oval

Min. V or H	4" X 4", 102mm X 102mm
*Max. Vertical	78"W X 31"H, 1981mm X 787mm
*Max. Horizontal	78"W X 31"H, 1981mm X 787mm

Round

Min. V or H	4", 102mm
*Max. Vertical	31", 787mm
*Max. Horizontal	31", 787mm
*May consist of multi-sections.	

Due to continuing research, MAT reserves the right to change specifications without notice.

FD-C

Represented by:

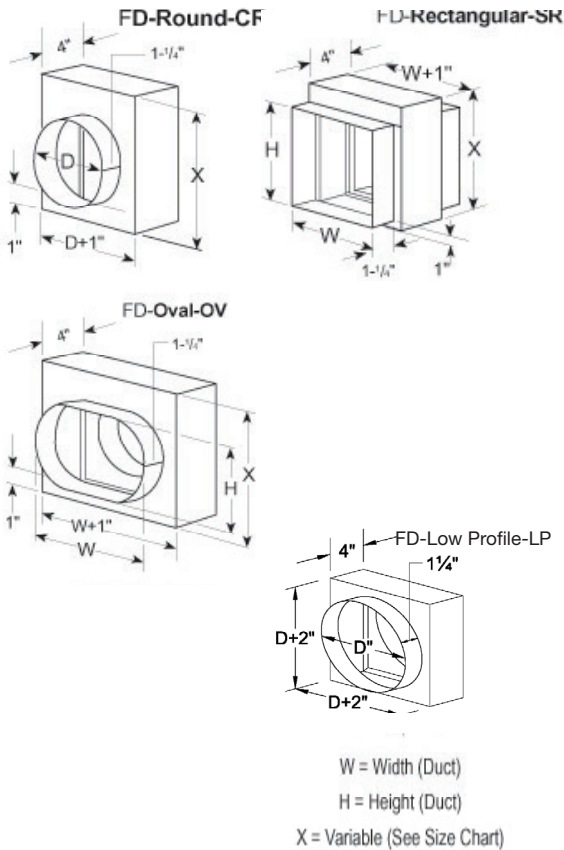
6235 South Oak Park Avenue Chicago, IL 60638 USA
Toll free: 800.585.7686 +1.708.552.4040
Fax: +1.708.594.0396 www.metairtech.com



Model FD-C Curtain Fire Damper Size Chart

Horizontal and vertical 1-1/2 and 3 hour

Transitions for Type C Dampers



- Up to 20" duct height, damper is 3" higher than the duct height
- Up to 31" duct height, damper is 4" higher than the duct height
- Up to 42" duct height, damper is 5" higher than the duct height
- Up to 54" duct height, damper is 6" higher than the duct height
- Up to 64" duct height, damper is 4" higher than the duct height
- Up to 84" duct height, damper is 5" higher than the duct height
- Up to 114" duct height, damper is 6" higher than the duct height

Duct Height	Type CR, SR & OV Damper Height	Duct Height	Type CR, SR & OV Damper Height
Inches	Inches	Inches	Inches
3	6	62	66
4	7	63	67
5	8	64	68
6	9	65	70
7	10	66	71
8	11	67	72
9	12	68	73
10	13	69	74
11	14	70	75
12	15	71	76
13	16	72	77
14	17	73	78
15	18	74	79
16	19	75	80
17	20	76	81
18	21	77	82
19	22	78	83
20	23	79	84
21	25	80	85
22	26	81	86
23	27	82	87
24	28	83	88
25	29	84	89
26	30	85	91
27	31	86	92
28	32	87	93
29	33	88	94
30	34	89	95
31	35	90	96
32	37	91	97
33	38	92	98
34	39	93	99
35	40	94	100
36	41	95	101
37	42	96	102
38	43	97	103
39	44	98	104
40	45	99	105
41	46	100	106
42	47	101	107
43	49	102	108
44	50	103	109
45	51	104	110
46	52	105	111
47	53	106	112
48	54	107	113
49	55	108	114
50	56	109	115
51	57	110	116
52	58	111	117
53	59	112	118
54	60	113	119
55	59	114	120
56	60		
57	61		
58	62		
59	63		
60	64		
61	65		

FD-C

6235 South Oak Park Avenue Chicago, IL 60638 USA
Toll free: 800.585.7686 +1.708.552.4040
Fax: +1.708.594.0396 www.metairtech.com

Represented by: