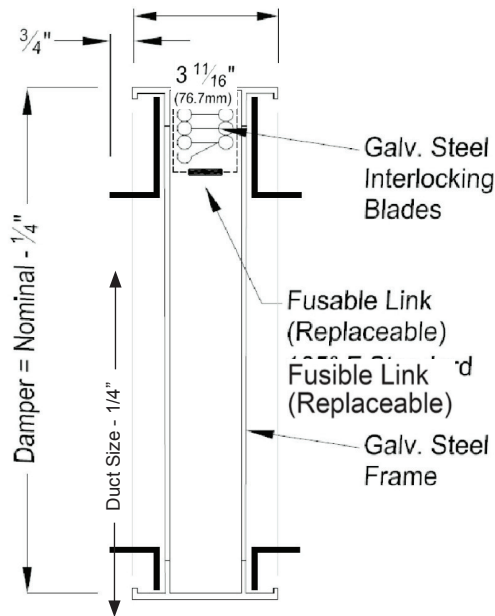




Model FDD-C Curtain Fire Damper

UL 555 Classified 1-1/2 and 3 hours for use in dynamic or static systems



Application

- The Model FDD-C is UL Classified for installation in walls, floors, and partitions with a fire rating of less than 3 hours.
- This damper may be installed vertically or horizontally in dynamic HVAC systems that continue to run in the event of fire. Also approved for static systems. (See optional 3 hr rating)

Standard Construction

- Frame: Roll formed Frame - 22 ga. Galvanized Steel
- Blades: Low Profile Roll Formed - 22 ga. Galvanized Steel
- Closure Springs: Stainless Steel constant force coil
- Fusible Link - UL-33: UL Classified 165°F (Standard), 212°F (Optional)
- Maximum Velocity: 2000 FPM (10.2 M/S)
- Maximum Pressure: 4" WG (1KPA)
- Dampers are furnished approximate to the duct dimensions provided, unless otherwise noted
- Dampers are furnished approximately 1/4" undersized to the duct dimensions provided, unless otherwise noted.

Model FDD-C meets or complies with the following as a fire damper:

- All major building codes, including IBC/ICC International Code
- UL 555 Classified 1-1/2 and 3 Hour - File #R27198
- NFPA - 90A, 80

Sizes (duct) 1-1/2 & 3 Hour

- **Min. V or H** - 5" X 3", 127mm X 76mm
 - **Max Vertical Size** - *70"W X 28"H, 1778mm X 711mm
 - ***Max Horizontal Size** - *34"W X 28"H, 864mm X 711mm
- *May consist of multi-sections

Options

- Factory Sleeve (20 Ga min.)
- Retaining Angles
 - One Side
 - Both Sides
- 3 Hour Rating
- Taped & Sealed Transition for Medium Pressure System
- Caulked & Sealed Damper Frame/Sleeve
- Mounting
 - Horizontal
 - Vertical

Due to continuing research, MAT reserves the right to change specifications without notice.

FDD-C

6235 South Oak Park Avenue Chicago, IL 60638 USA
Toll free: 800.585.7686 +1.708.552.4040
Fax: +1.708.594.0396 www.metairtech.com

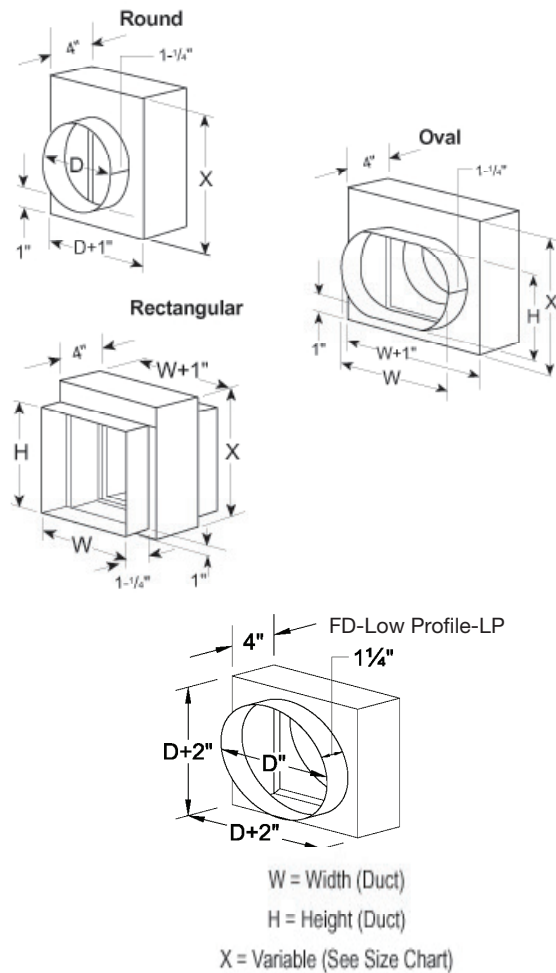
Represented by:



Model FDD-C Curtain Fire Damper Size Chart

Dynamic closure models 1-1/2 and 3 hour

Transitions for Type C Dampers



Duct Height	Height "X" Dimension
Inches	Inches
3	6
4	7
5	8
6	9
7	10
8	11
9	12
10	13
11	14
12	15
13	16
14	17
15	18
16	19
17	20
18	21
19	22
20	23
21	25
22	26
23	27
24	28
25	29
26	30
27	31
28	32
29	33
30	34
31	35
32	36

- Up to 20" duct height, damper is 3" higher than the duct height
- Up to 32" duct height, damper is 4" higher than the duct height

FDD-C

Represented by:

6235 South Oak Park Avenue Chicago, IL 60638 USA
 Toll free: 800.585.7686 +1.708.552.4040
 Fax: +1.708.594.0396 www.metairtech.com