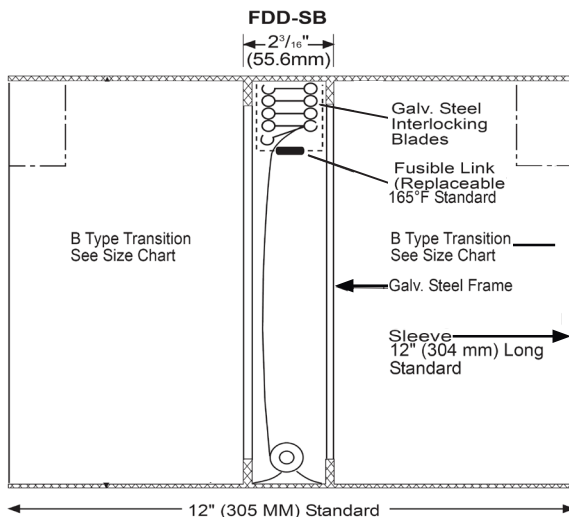




Model FDD-SB Curtain Fire Damper

UL 555 Classified 1-1/2 and 3 hours for use in dynamic or static system



Application

- The Model FDD-SB is UL Classified for installation in walls, floors, and partitions with a fire rating of less than 3 hours.
- This damper may be installed vertically or horizontally in dynamic HVAC systems that continue to run in the event of fire. Also approved for static systems (See optional 3 hr rating)

Standard Construction

- Frame: 12" Roll formed Frame - 20 ga. Galvanized Steel - Integral Sleeve
- Blades: Low Profile Roll Formed - 22 ga. Galvanized Steel
- Closure Springs: Stainless Steel constant force coil
- Fusible Link - UL-33: UL Classified 165°F (Standard), 212°F (Optional)
- Maximum Velocity: 2000 FPM (10.2 M/S)
- Maximum Pressure: 4" WG (1KPA)
- Dampers are furnished approximate to the duct dimensions provided, unless otherwise noted
- Dampers are furnished approximately 1/4" undersized to the duct dimensions provided, unless otherwise noted.

Model FDD-SB meets or complies with the following as a fire damper:

- All major building codes, including IBC/ICC International Code
- UL 555 Classified 1-1/2 and 3 Hour - File #R27198
- NFPA - 90A, 80

Sizes (duct) 1-1/2 & 3 Hour

- Min. V or H** 6" X 4", 152mm X 101mm
***Max. Vertical** 72" X 32", 1829mm X 813mm
***Max. Horizontal** 36" X 32", 914mm X 813mm
 *May consist of multi-sections

Options

- Retaining Angles
 - One Side
 - Both Sides
- 3 Hour Rating
- Mounting
 - Horizontal
 - Vertical

Note

Refer to installation instructions for required opening in fire rated barrier.

Due to continuing research, MAT reserves the right to change specifications without notice.

FDD-SB

6235 South Oak Park Avenue Chicago, IL 60638 USA
 Toll free: 800.585.7686 +1.708.552.4040
 Fax: +1.708.594.0396 www.metairtech.com

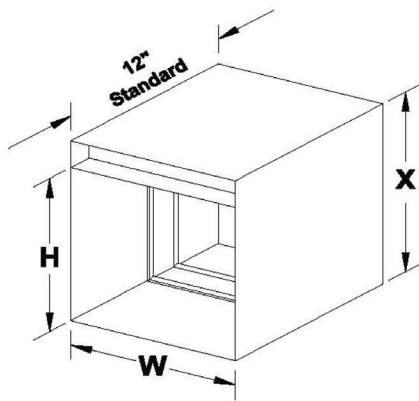
Represented by:



Model FDD-SB Curtain Fire Damper

UL 555 Classified 1-1/2 and 3 hours for use in dynamic or static systems

Type B



W = Width (Duct)

H = Height (Duct)

X = Variable (See Size Chart)

Duct Height	Type "B" Damper Height
Inches	Inches
4	6
5	7
6	8
7	9
8	10
9	11
10	12
11	13
12	14
13	15
14	16
15	17
16	18
17	19
18	20
19	21
20	23
21	24
22	25
23	26
24	27
25	28
26	29
27	30
28	31
29	32
30	33
31	34
32	35

- Up to 19" duct height, damper is 2" higher than the duct height
- Up to 32" duct height, damper is 3" higher than the duct height

Due to continuing research, MAT reserves the right to change specifications without notice.

FDD-SB

Represented by:

6235 South Oak Park Avenue Chicago, IL 60638 USA
Toll free: 800.585.7686 +1.708.552.4040
Fax: +1.708.594.0396 www.metairtech.com