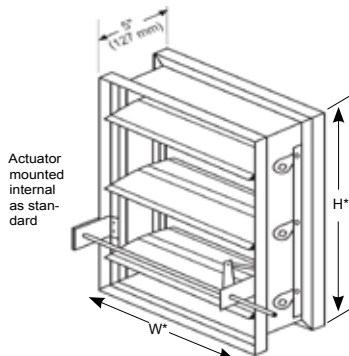


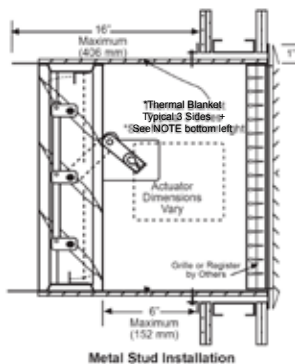


Model F/S-AF-OW-II Outside Wall Combo Fire/Smoke Damper

UL 555S Classified Class II Leakage



* Wall opening must be oversized by 3/4" (19mm) to accommodate thermal blanket thickness.



+ Typical 4 sides when mounted horizontally

Options

- Factory sleeves (20 Ga minimum, 16" min length) 16" X 20 ga. side plate provided if no sleeve is indicated
- Retaining Angles
 - One Side
- Smoke Detector
 - Ionization or Photoelectric
- Transitions
 - Round or Oval
- Micro-Switch Package
- RCB-1, -2, -3, -4
- DTO/RE w/ MS Package
- Actuator
 - Electric or Pneumatic, 25 psi
- Mounting Orientation
 - Horizontal or Vertical

Application

- The F/S-AF-OW-II series Combination Fire/Smoke Dampers have been designed and tested to exceed all UL and N.F.P.A. requirements for fire dampers as well as smoke dampers.
- F/S-AF-OW-II is UL 555 Classified and labeled as a 1-1/2 hour fire damper.
- UL Classified for both vertical and horizontal mountings.
- UL 555S Classified and labeled as a Leakage Class II rated Smoke Damper with airflow in both directions. Class II provides for a maximum leakage of 20 cfm per sq. ft. at 4.0 inches static pressure.
- UL 555S Classified at 250 °f or 350 °f depending upon motor/operator
- *See motor/operator schedule
- Not recommended with blades running vertically

Standard Construction

- Frame: Roll-formed galvanized steel hat-section with staked corners with integral bracing.
- Blades: Airfoil-shaped, double skin galvanized steel of roll-formed construction. Mechanically joined to form construction equivalent to 14ga. steel.
 - Minimum width: 5" (127mm)
 - Maximum width: 7" (178mm)
- Bearings: Bronze Oilite, press-fit into frame.
- Axles: Square, plated steel.
- Seals: Pressure sensitive 450° F silicone blade edge seals and flexible metal jamb seals.
- Linkage: Concealed in frame. Linkage bars are .125" (3.2mm) thick plated steel.
- Sleeve: Galvanized, wrapped in thermal blanket. (Vert. Typ. 3 sides), 20 Ga, 16" std.
- Controlled Closure Device: (Heat Activated)
 - EFL - 165° F Standard, 212°, 250°, 350° F available
 - PFL - 165° F Standard, 212° F available
- Finish: Mill galvanized.
- Maximum Velocity: 2000 fpm (10.2 m/s) on all sizes
- Maximum Pressure: 4" wg (1kPa)
- Consult Factory For Velocities up to 4000 FPM and 6.0" w.g.

Min. Size 14"w x 10"h (355mm x 254mm)

Max. Size Single Section: 36"w x 48"h (914mm x 1219mm)
Multi Section: 42"w x 48"h (1067mm x 1219mm)

Notes

Face flange shipped loose if external actuator

Due to continuing research, MAT reserves the right to change specifications without notice.

F/S-AF-OW-II (1-1/2 hour)

Represented by:

6235 South Oak Park Avenue Chicago, IL 60638 USA
Toll free: 800.585.7686 +1.708.552.4040
Fax: +1.708.594.0396 www.metairtech.com



Model F/S-AF-OW-II Outside Wall Combo Fire/Smoke Damper UL 555S Classified Class II Leakage

Suggested Specification

Combination Fire/Smoke Dampers shall be Model: F/S-AF-OW-II, by Metropolitan Air Technology. Damper blades shall be of double-skinned streamlined (“airfoil”) construction for minimum pressure drop. Both blade edge and jamb seals shall be of the pressure sensitive type for low leakage. Dampers shall be rated for both Fire Damper (UL 555) and Smoke Damper (UL 555S) operation. Leakage shall not exceed 20cfm per sq. ft. at 4.0 inches static pressure. Linkage shall be of the concealed type for maximum free area. Each damper shall be qualified for mounting outside of the plane of the wall to allow ‘through the grille’ access to actuators and controls. Dampers shall bear the Underwriters’ Laboratories labels.

Manufacturers Recommendations

It is recommended the damper must be inspected and cycled at intervals not greater than every twelve months or in accordance with NFPA 80, 90A, 92A, local codes and the actuator manufacturer.

Due to continuing research, MAT reserves the right to change specifications without notice.

F/S-AF-OW-II (1-1/2 hour)

6235 South Oak Park Avenue Chicago, IL 60638 USA Represented by:
Toll free: 800.585.7686 +1.708.552.4040
Fax: +1.708.594.0396 www.metairtech.com