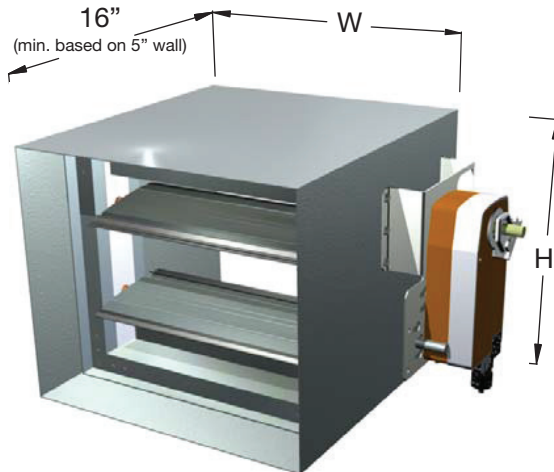
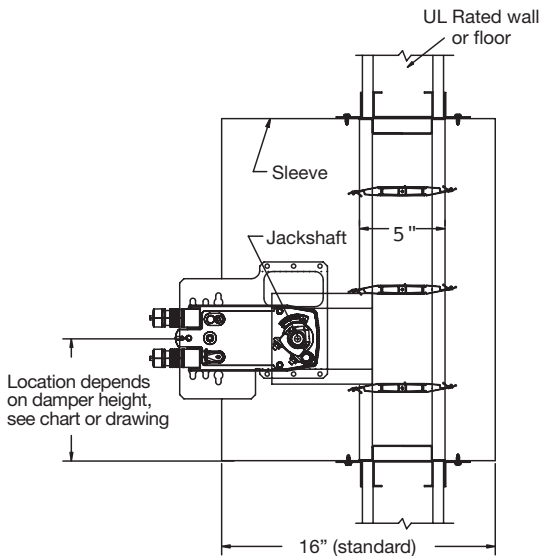




Model F/S-AFM-OB-I & F/S-AFM-OB-3-I Modulating Combo Fire/Smoke Damper UL 555S Classified. Class I Leakage Rated.



UL 555S Classified at 250° F



Standard Construction

- Frame: Rollformed galvanized steel hat-section with staked corners and integral bracing
- Blades: Airfoil shaped, double skin galvanized steel of roll-formed construction
- Mechanically joined to form equiv. 14 ga. steel
 - Minimum width: 5" (127 mm)
 - Maximum width: 7" (178 mm)
- Bearings: Bronze Oilite, press-fit into frame
- Axles: Square, plated steel
- Seals: Pressure sensitive 450°F silicone blade edge seals and flexible metal jamb seals
- Linkage: Concealed in frame. Linkage bars are 0.125" (3.2 mm) thick plated steel
- Controlled Closure Device: (Heat activated) EFL - 165°F Standard, 212°F, 250°F available
- Due to space limitations, dampers below 12" tall with no sleeve and actuators in the airstream will be equipped with a spring/fuselink assembly in lieu of the EFL temperature response device.
- Finish: Mill galvanized
- Actuator: UL Approved, Belimo FS-AFB-24-SR (External (std.) or internal mounted (optional))
- Maximum Velocity: 2000 fpm (10.2 m/s) on all sizes
- Maximum Pressure: 4" w.g. (1kPa)

Min. Size 8"w x 8"h (203mm x 203mm)(Ext. Actuator)
10"w x 14"h (254mm x 356mm)(Int. Actuator)

Max. Size Single Section: 32"w x 30"h (816mm x 762mm)
1.5 hr. Vertical: 96"w x 60"h (2438mm x 1524mm)
1.5 hr. Horizontal: 32"w x 30"h (816mm x 762mm)
3 hr. Vertical: 72"w x 60"h (1828mm x 1524mm)
3 hr. Horizontal: 32"w x 30"h (816mm x 762mm)

Features

- The F/S-AFM-OB-I or F/S-AFM-OB-3-I series Combination Fire/Smoke Dampers have been designed and tested to exceed all UL, and NFPA requirements for fire dampers as well as smoke dampers.
- F/S-AFM-OB-I is UL 555 listed and labeled as a 1.5 hour rated fire damper.
- F/S-AFM-OB-3-I is UL 555 listed and labeled as a 3 hour rated fire damper.
- UL listed for both vertical and horizontal mountings.
- UL 555S listed and labeled as a Class I rated Smoke Damper with airflow in both directions. Class I provides for a max. leakage of 8 cfm/sq ft at 4.0" wg static pressure.

Model F/S-AFM-OB-I (1.5 hour) & F/S-AFM-OB-3-I (3 hour)

6235 South Oak Park Avenue Chicago, IL 60638 USA
Toll free: 800.585.7686 +1.708.552.4040
Fax: +1.708.594.0396 www.metairtech.com

Represented by:



Model F/S-AFM-OB-I & F/S-AFM-OB-3-I Modulating Combo Fire/Smoke Damper

UL 555S Classified. Class I Leakage Rated.

Options

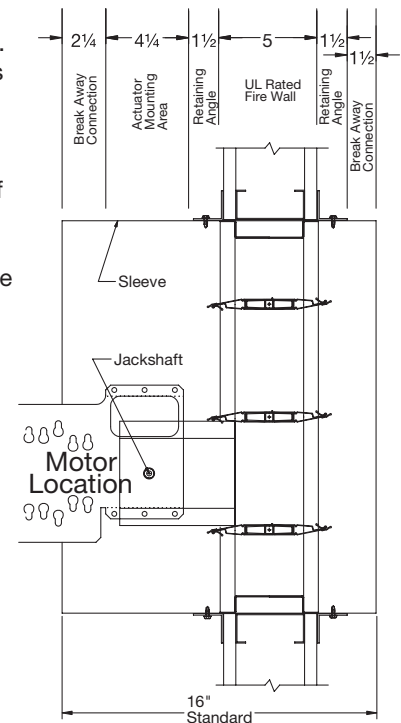
- Factory sleeve: 20 Ga. minimum
- Sleeve Length: 16" minimum (16" x 20 ga side plate provided if no sleeve is indicated, Act. External)
- Retaining Angles
 - One Side
 - Both Sides
- Smoke Detector
 - Ionization
 - Photoelectric
- Micro-Switch Package
- Transitions
 - Round
 - Oval
- Remote Control Boxes
 - RCB-1
 - RCB-2
 - RCB-3
 - RCB-4
- Parallel blade action (Model S-AFM-PB-I)
- Actuator in airstream (internal mount)
- Integral endswitch (Actuator model FSAFB-24-SR-S)
- Grille Mtg. - 3/4" Mounted Face Flange
 - Shipped loose, 1" (if external actuator)
- Mounting Orientation
 - Vertical
 - Horizontal

Suggested Specification

Combination Fire/Smoke Dampers shall be model F/S-AFM-OB-I or F/S-AFM-OB-3-I, by Metropolitan Air Technology. Fire/Smoke Dampers shall bear the Underwriters Laboratories labels for both Fire Dampers and Smoke Dampers. UL 555S rating shall be Class I with leakage not to exceed 8 cfm per sq ft. at 4.0" static pressure for any size. Linkage shall be of the concealed type for maximum free area.

Notes

- Non-sleeved dampers with side plates are furnished approximately 1/4" (6.4 mm) smaller than given duct dimensions. Sleeved dampers are furnished approximately same size as given duct dimension unless otherwise noted.
- Not recommended with blades running vertical
- It is recommended the damper must be inspected and cycled at intervals not greater than every twelve months or in accordance with NFPA 80, 90A, 92A, local codes and the actuator manufacturer.
- When the actuator is externally mounted and the wall thickness exceeds 5 inches, add 1 inch for each additional inch of wall thickness increased, to ensure sleeve extends through the penetration.
- As standard the actuator is externally installed on the lower right hand half of the damper when viewed from the jackshaft side.
- The damper may be installed or rotated 180° such that the actuator will be located on the upper left.
- The top of the damper is either side of the frame as long as the blades are running horizontal.
- When ordering internally mounted actuators, be aware there is a min. height requirement (in some cases the sleeve can be increased to allow for internal mounting).
- The entire damper frame does not have to be installed in the plane of the wall/floor. The rule of thumb is "with the damper in the closed position, the blade plane should be within the plane of the UL rated wall/floor".



Model F/S-AFM-OB-I (1.5 hour) & F/S-AFM-OB-3-I (3 hour)

Represented by:

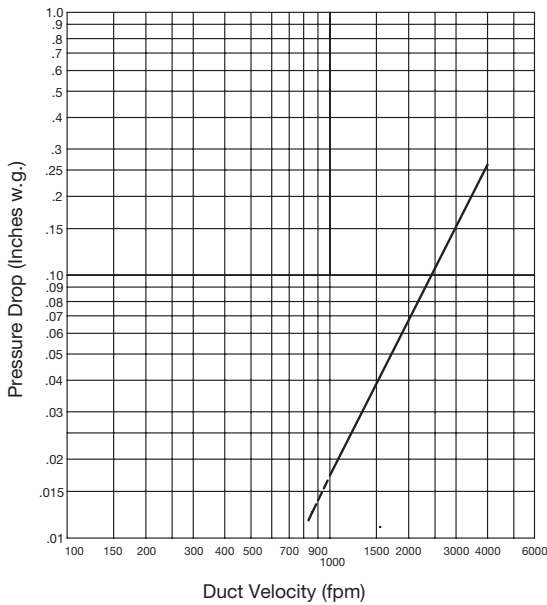
6235 South Oak Park Avenue Chicago, IL 60638 USA
Toll free: 800.585.7686 +1.708.552.4040
Fax: +1.708.594.0396 www.metairtech.com



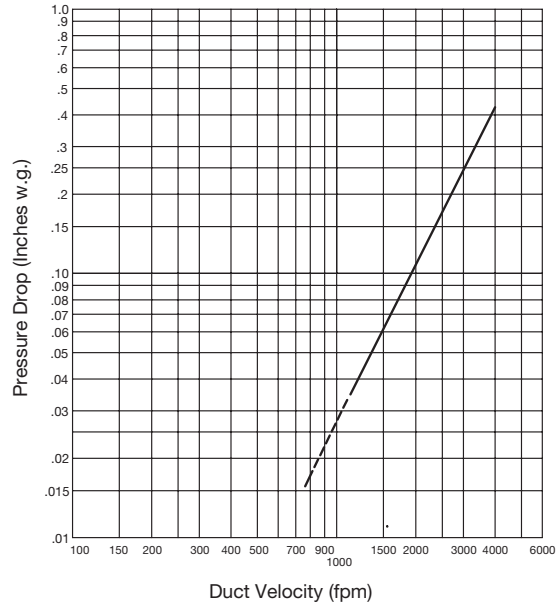
**Model F/S-AFM-OB-I & F/S-AFM-OB-3-I Modulating
Combo Fire/Smoke Damper** UL 555S Classified. Class I Leakage Rated.

Pressure drop testing was done by an independent laboratory to the AMCA Standard 500-D, Fig. 5.3 ductwork upstream and downstream.

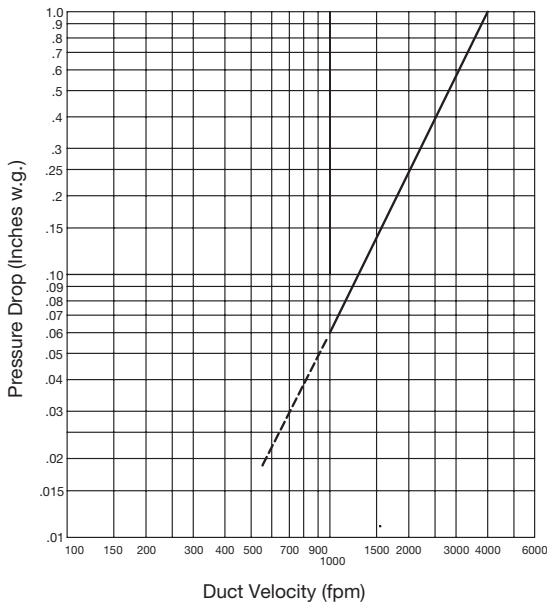
Damper Size 36 x 36



Damper Size 24 x 24



Damper Size 12 x 12



6235 South Oak Park Avenue Chicago, IL 60638 USA
Toll free: 800.585.7686 +1.708.552.4040
Fax: +1.708.594.0396 www.metairtech.com

Represented by: