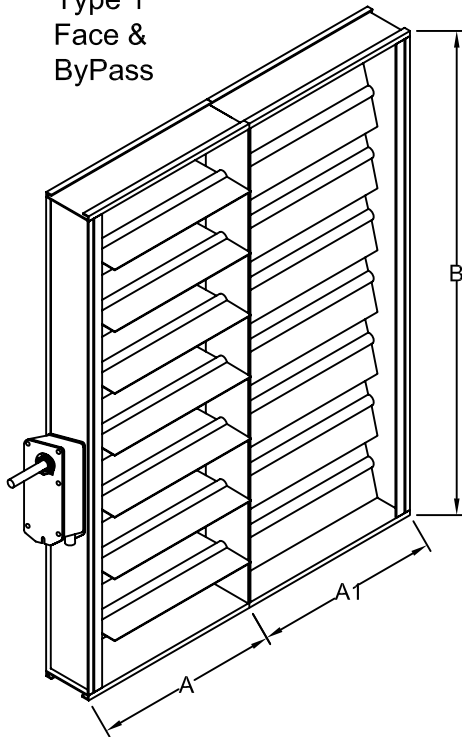
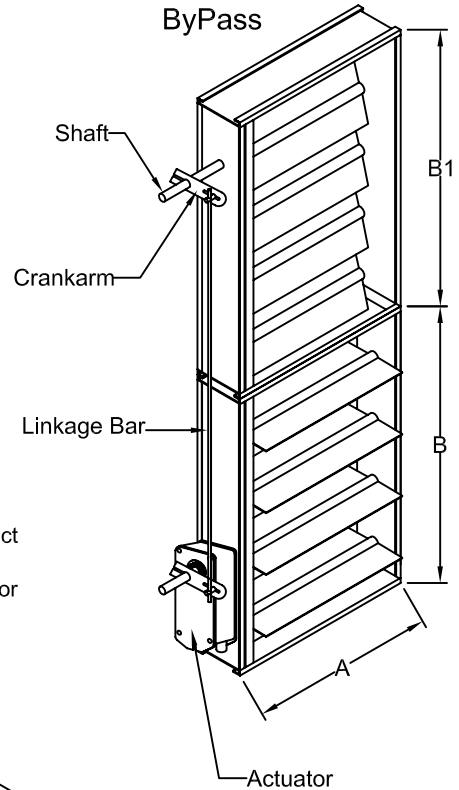


Face & Bypass Details

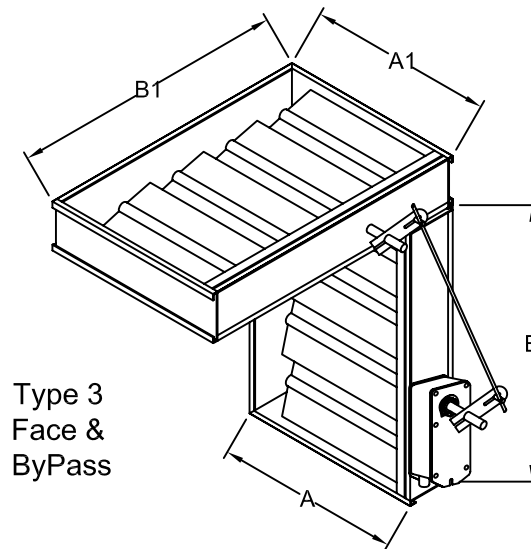
Type 1
Face &
ByPass



Type 2
Face &
ByPass



Mounting the crank arm between the actuator and the damper allows for direct coupled mounting to shaft as well as use of linkage for second damper.



Type 3
Face &
ByPass