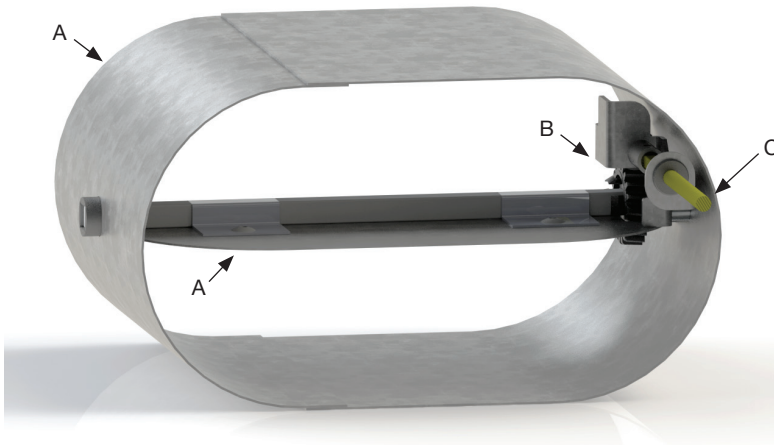


The RT-180 Oval Damper Submittal Data

Project:		Date:
Architect:	Engineer:	Contractor:



Design & Materials

- A. 8" deep 24 ga. galvanized steel frame. 20 ga. galvanized steel blade
- B. Low profile helical gear set accepts rotary actuation cable.
- C. 1/4" dia. galvanized steel rotary cable. Length as required up to 10'. Supplied with nylon cable clamp and 5/16" hex self-drilling screw for termination of cable tip behind diffuser face.

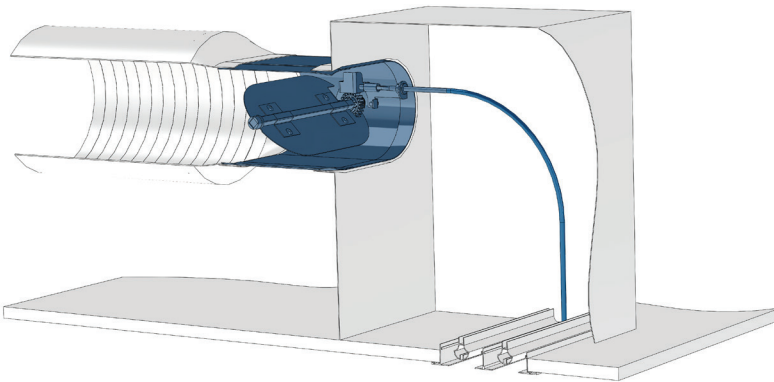
Male square rotary cable end adjusts with a standard hex nut driver (by others) or the MAT square nut driver. Optional: thin-blade screwdriver adjusted cable tip.

Features

- Furnished fully assembled for easy installation.
- Cable minimum turn radius = 4".
- Operating temperature limits = -40° to 240° F.
- Maximum recommended velocity = 1600 FPM.
- No linkages or cable to adjust.
- No small loose parts to get lost.
- Dampers may be installed in any plane.

Available Sizes

6", 8", 10" and 12" flat ovals for Titus, Kruegar and Tuttle & Bailey slot plenums.



Location/System	Qty	Damper Size	Cable Length (Standard = 2 ft)