

The RT-250 Submittal Data

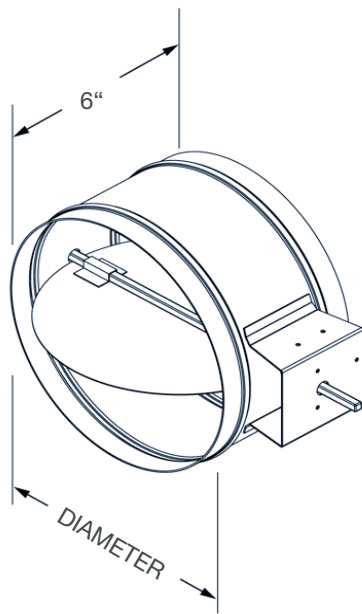
Project:		Date:
Architect:	Engineer:	Contractor:

Standard Construction

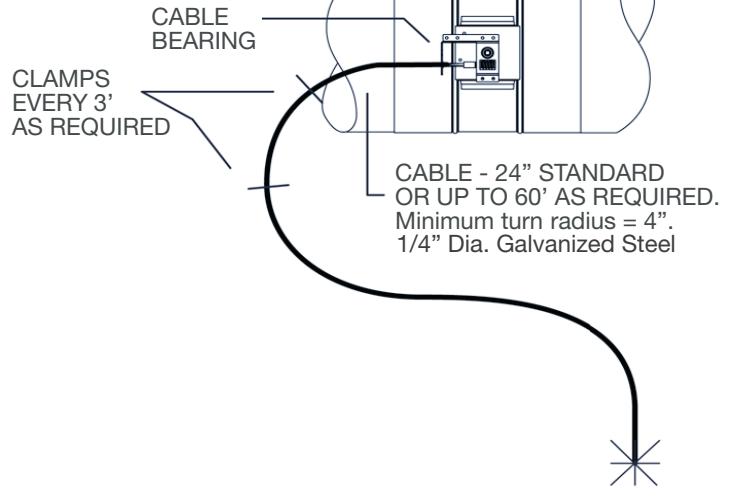
- 20 ga. galvanized steel with rolled bead stiffeners
- Reinforced blade, self lubricating bearings
- Stand off bracket for mounting RT-WGA drive
- .3/8" square (flat/flat) axles assures non slip connection
- Operating temperature = -40° to 200° F.
- Maximum velocity = 1500 FPM
- Furnished 1/8" undersized for male slip-in

Cable Termination

- GRT-CCR Round Ceiling Cup
- RT-CCS Rectangular Ceiling/Wall Cup
- RT-CCM Round Miniature Ceiling Cup
- RT-MB Mounting Bracket
- RT-CCE Environmental Control Box
- RT-CCD Surface Mount Box
- MAT-1003 Angle bracket



UNIVERSAL DAMPER DRIVE (RT-WGA)
 - Mount to damper shaft & field secure to duct. Allow 1.5" slip-over clearance off end of shaft. Standoff mounting bracket provided with MAT damper.



US Patent #5,702,298 Canadian Patent #2,185,311

Location/System	Qty	Duct Diameter	Cable Length	Termination