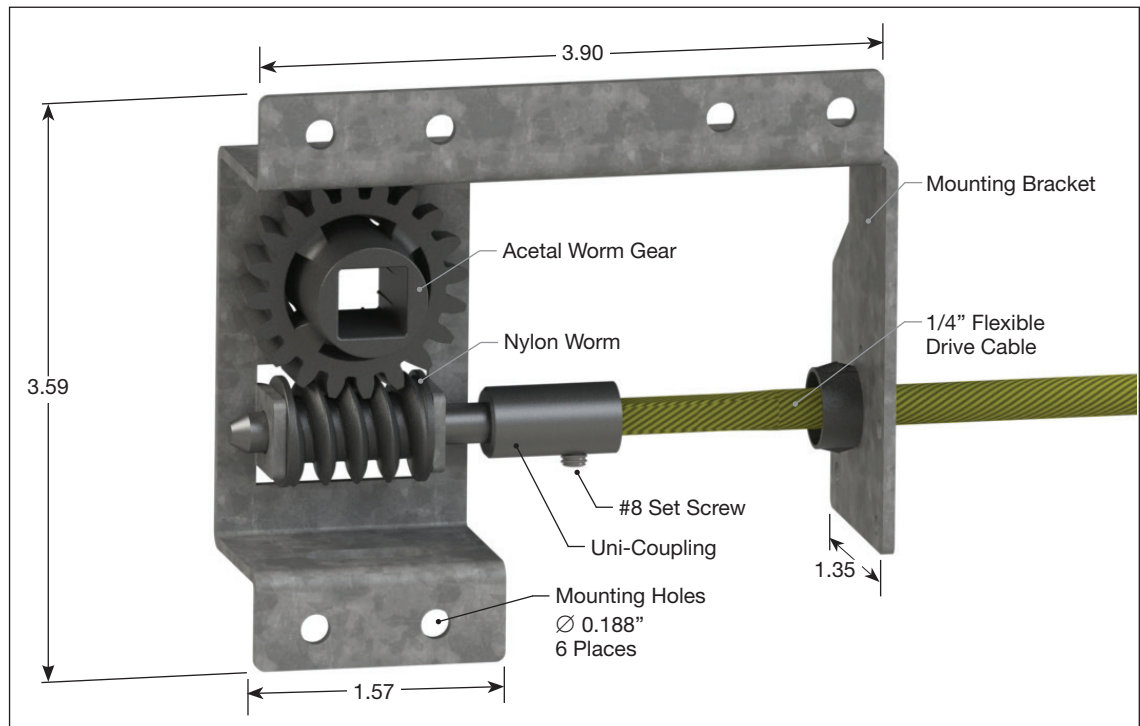


RT-WGA-P Damper Drive Specifications



Standard Construction

Furnish a worm gear damper drive unit to manually control dampers from a remote location. The damper drive shall be furnished as one-piece construction with mounting capabilities to accommodate a 3/8" square damper shaft (model RT-WGA-P) or a 1/4" square damper shaft (model RT-WGA-P.25). The drive unit construction shall consist of a 14 gauge galvanized mounting bracket, a nylon worm, an acetal helical gear, and a one piece steel drive shaft/cable coupling. The drive shaft/coupling shall provide access and support for a 1/4" \varnothing plated steel rotary actuation cable. The rotary cable shall be operated with a standard hex nut driver (by others) or the MAT square nut driver. The worm and worm gear shall have a 20:1 gear ratio and provide a 2:1 mechanical advantage. The damper drive unit shall be able to control models RT-200 and RT-250 dampers provided by Metropolitan Air Technology (MAT), or approved equals. The rotary actuation cable shall be terminated with an MAT Ceiling Cup (RT-CCM or RT-CCS), an angle bracket, or a retaining clip (when used inside the plenum). The damper drive unit shall be Metropolitan Air Technology model RT-WGA-P (or RTWGA-P.25) or approved equal.

US Patent #5,702,298 Canadian Patent #2,185,311