

## Model BD-200-AL Aluminum Backdraft Damper

2800 FPM Velocity Rating



### Application

The BD-200-AL is a vertical or horizontal mounted backdraft damper that is designed to allow airflow and prevent reverse airflow.

### Standard Construction

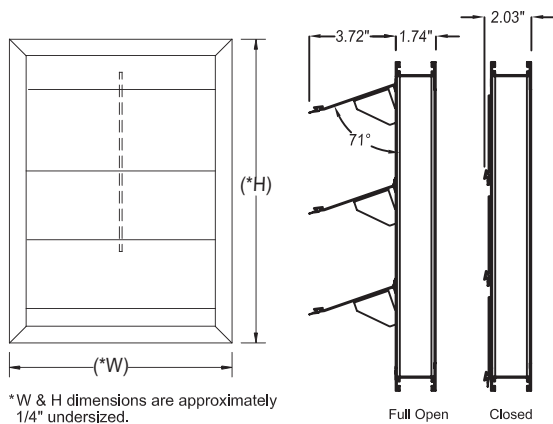
- Frame: .060" thick extruded aluminum
- Blades: .045" thick formed aluminum
- Blade Seal: Vinyl
- Linkage: .625" x .125" aluminum bar (in airstream)
- Axles: Zinc plated steel
- Bushings: Nylon

**Min. Size** 6" w x 6" h

**\*Max. Single Section** 48" w x 48" h

\*Arrangements C & F max. single section size- 48"w x 24"h

Note: For discharge applications dampers should be placed a distance of at least 2/3 of the fan diameter away from the fan.



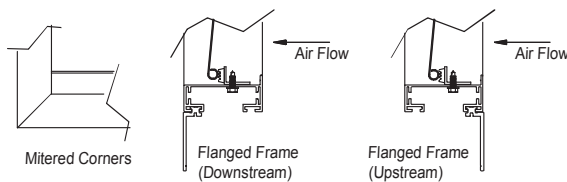
\*W & H dimensions are approximately 1/4" undersized.

### Ratings

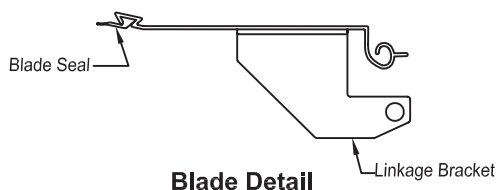
- Pressure: 3.0" w.g.
- Velocity: 2800 FPM
- Temperature: 200° F

### Options

- Multiple Sections
  - Exposed mullions
  - Aluminum sub-frame
- Flanged frame
  - Upstream or downstream
  - Flange width 1", 1 1/2" (Default), 2" or 3"
- Counterbalance
  - Weights
    - Assist to open (default)
    - Assist to close
  - Springs
    - Assist to open (default)
    - Assist to close
- Set limit open position bracket
- Motor driven



**Frame Detail**



**Blade Detail**

Due to continuing research, MAT reserves the right to change specifications without notice.

### BD-200-AL

6235 South Oak Park Avenue Chicago, IL 60638 USA

Toll free: 800.585.7686 +1.708.552.4040

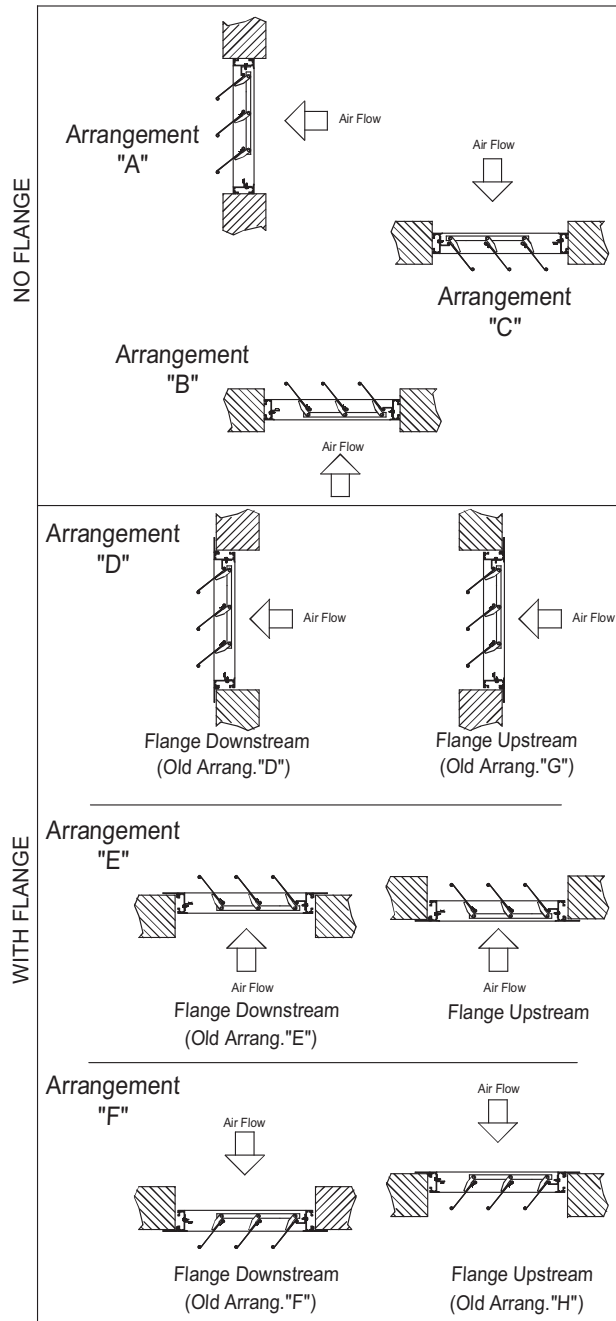
Fax: +1.708.594.0396 www.metairtech.com

Represented by:

## Model BD-200-AL Aluminum Backdraft Damper

### Performance Data

BD-200-AL AIR FLOW ARRANGEMENTS  
Counterweights or springs used in airstream  
(assist to open)



Represented by:

6235 South Oak Park Avenue Chicago, IL 60638 USA  
Toll free: 800.585.7686 +1.708.552.4040  
Fax: +1.708.594.0396 [www.metairtech.com](http://www.metairtech.com)

## Model BD-200-AL Aluminum Backdraft Damper

### Performance Data

