

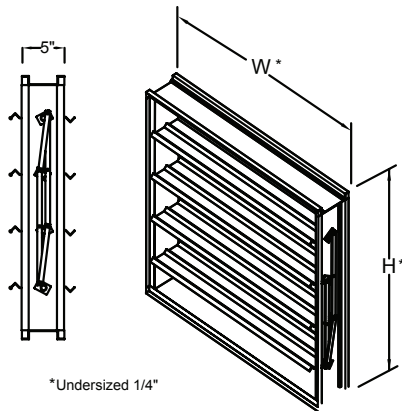
Model CD-200 & CD-201 Opposed Blade & Parallel Blade Damper

Ratings:

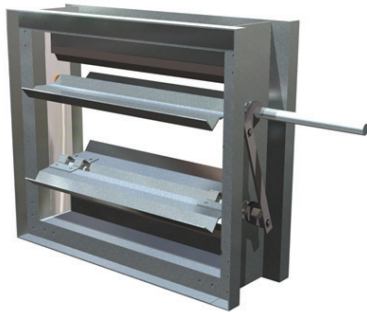
Pressure - up to 4" w.g.

FPM Table

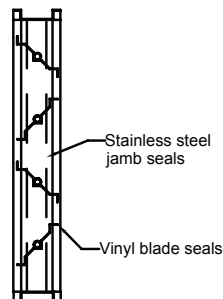
12" wide	- 3500 FPM
24"	- 2800
36"	- 2300
48"	- 2100



*Undersized 1/4"



OPTIONAL:



Suggested Specifications

Furnish and install at location shown on drawing, or in accordance with schedules, dampers meeting the following specifications: Rectangular damper shall have 16 gauge galvanized steel blades with galvanized steel rollformed frames. Damper to be equal to MAT's model CD-200 or CD-201.

Standard Construction

- Frame: 18ga. Rollformed Galvanized Steel
- Blades: 4"-7" wide, 16ga. Galvanized Steel
- Bearing: Nylon
- Linkage: Concealed in frame
- Axles: 3/8" square plated steel
- Control Shaft: Ø1/2" x 4-1/2" long shaft supplied with all single section dampers for field mounted actuators. Factory-installed jackshaft supplied with all multiple section dampers

Options

- Blade Seals PVC (180° F)
- Compression Jamb Seals (stainless steel)
- Header Plates (end flange)
- Hand Quadrant
- Stand Off Bracket, 2"
- Factory Installed Pneumatic or Electric Actuators
- Face and Bypass Damper
- Chain Operator
- Position Switch
- Heresite coated (air dry)
- Epoxy coated (powder coated) (*epoxy coated linkage)
- Stainless Steel bushings

Min. Size 6"w x 6"h

Max. Size 48"w x 60"h (single section)
9"h and under - single blade
Multi-section: unlimited



Model CD-200 (opposed) & CD-201 (parallel)

6235 South Oak Park Avenue Chicago, IL 60638 USA
Toll free: 800.585.7686 +1.708.552.4040
Fax: +1.708.594.0396 www.metairtech.com

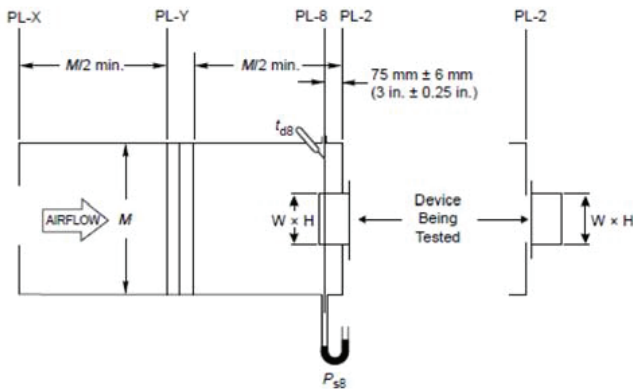
Represented by:

Model CD-200 & CD-201 Opposed Blade & Parallel Blade Damper Performance Data

AMCA Standards

Pressure Class	Leakage, ft ³ /min /ft ²			
	Required Rating		Extended Ranges (optional)	
	1"	4"	8"	12"
1A	3	n/a	n/a	n/a
1	4	8	11	14
2	10	20	28	35
3	40	80	112	140

Tested per AMCA Standard 500-D (leakage), figure 5.4 Alternate.



AMCA Standard 500-D (leakage), figure 5.4 Alternate.

Leakage Performance

Imperial Units (Forward Flow)

Damper Width X Height	1 in. w.g. Class	4 in. w.g. Class	8 in. w.g. Class	*Torque (per sq. ft.)
12" X 48"	Class 1A	Class 1	Class 1	11.5 lbs-in
48" X 36"	Class 1A	Class 1	Class 1	11.33 lbs-in

Imperial Units (Reverse Flow)

Damper Width X Height	1 in. w.g. Class	4 in. w.g. Class	8 in. w.g. Class	*Torque (per sq. ft.)
12" X 48"	Class 1A	Class 1	Class 1	11.5 lbs-in
48" X 36"	Class 1A	Class 1	Class 2	11.33 lbs-in

*Torque applied to hold damper in closed position

Air leakage is based on operation between 50° F to 104° F. All data corrected to represent air density of 0.075 lbs/ft³.

Standard International Units (Forward Flow)

Damper Width X Height (mm)	250 Pa Class	1 KPa Class	2 KPa Class	*Torque (per sq. m.)
305 X 1220	Class 1A	Class 1	Class 1	13.97 N-m
1220 X 915	Class 1A	Class 1C	Class 1	13.77 N-m

Standard International Units (Reverse Flow)

Damper Width X Height (mm)	250 Pa Class	1 KPa Class	2 KPa Class	*Torque (per sq. m.)
305 X 1220	Class 1A	Class 1	Class 1	13.97 N-m
1220 X 915	Class 1A	Class 1C	Class 2	13.77 N-m

*Torque applied to hold damper in closed position

Air leakage is based on operation between 10° C - 40° C. All data corrected to represent air density of 1.201 kg/m³.



Metropolitan Air Technology certifies that the CD-200 is licensed to bear the AMCA Seal. The ratings shown are based on tests and procedures performed in accordance with AMCA Publication 511 and comply with the requirements of the AMCA Certified Ratings Program. The AMCA Certified Rating Seal applies to Air Performance and Air Leakage ratings.

Represented by:

6235 South Oak Park Avenue Chicago, IL 60638 USA
Toll free: 800.585.7686 +1.708.552.4040
Fax: +1.708.594.0396 www.metairtech.com

Model CD-200 & CD-201 Opposed Blade & Parallel Blade Damper Performance Data

12"x48" Pressure Drop			
Face Velocity		Pressure Drop	
fpm	(m/s)	inches w.g.	(Pa)
607	3.10	0.02	0
802	4.09	0.03	8
1202	6.13	0.07	18
1605	8.19	0.14	34
2006	10.23	0.21	53

Pressure drop test per AMCA Standard 500-D, Figure 5.3.

12"x12" Pressure Drop			
Face Velocity		Pressure Drop	
fpm	(m/s)	inches w.g.	(Pa)
586	2.99	0.03	8
806	4.11	0.07	16
1206	6.15	0.15	38
1611	8.22	0.27	67
2025	10.33	0.43	106

Pressure drop test per AMCA Standard 500-D, Figure 5.3.

24"x24" Pressure Drop			
Face Velocity		Pressure Drop	
fpm	(m/s)	inches w.g.	(Pa)
598	3.05	0.02	5
802	4.09	0.04	9
1202	6.13	0.08	19
1594	8.13	0.14	34
2000	10.20	0.21	53

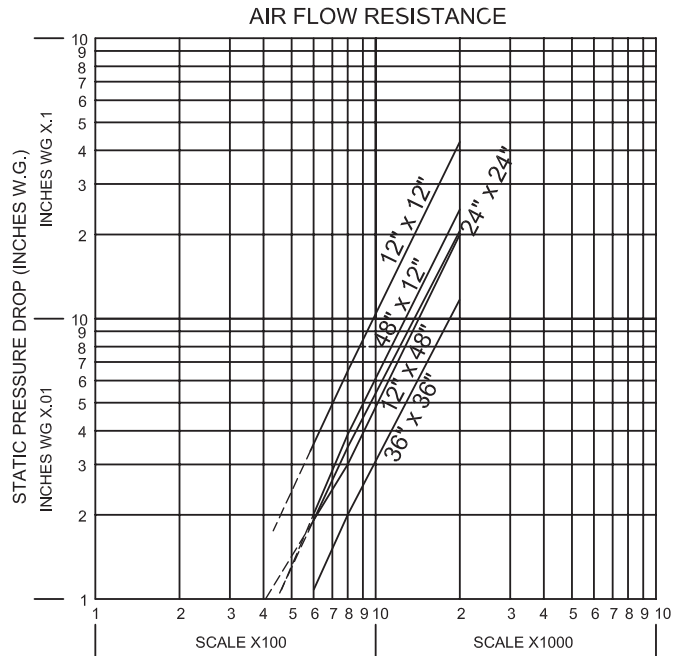
Pressure drop test per AMCA Standard 500-D, Figure 5.3.

36"x36" Pressure Drop			
Face Velocity		Pressure Drop	
fpm	(m/s)	inches w.g.	(Pa)
592	3.02	0.01	3
794	4.05	0.02	5
1196	6.10	0.05	11
1598	8.15	0.08	20
2006	10.23	0.12	30

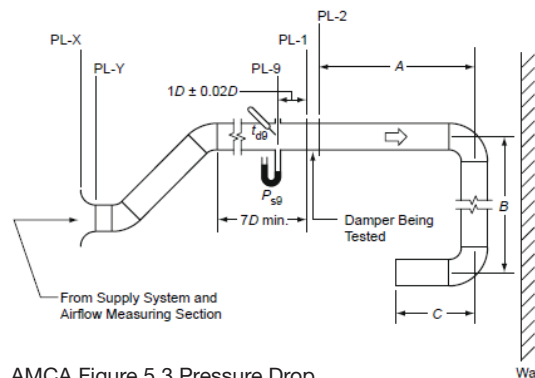
Pressure drop test per AMCA Standard 500-D, Figure 5.3.

48"x12" Pressure Drop			
Face Velocity		Pressure Drop	
fpm	(m/s)	inches w.g.	(Pa)
601	3.07	0.02	5
804	4.10	0.04	9
1206	6.15	0.09	21
1605	8.19	0.15	38
2009	10.25	0.24	60

Pressure drop test per AMCA Standard 500-D, Figure 5.3.



CD-200, 201 sizes: 12" x 12", 24" x 24", 48" x 12", 12" x 48", 36" x 36"
(305 x 305mm, 610 x 610mm, 1219 x 305mm, 305 x 1219mm, 914 x 914mm)
Data corrected to standard air density
Pressure drop test per AMCA Standard 500-D, Figure 5.3.



AMCA Figure 5.3 Pressure Drop



Metropolitan Air Technology certifies that the CD-200 & CD-201 is licensed to bear the AMCA Seal. The ratings shown are based on tests and procedures performed in accordance with AMCA Publication 511 and comply with the requirements of the AMCA Certified Ratings Program. The AMCA Certified Rating Seal applies to Air Performance and Air Leakage ratings.